

# MECCANO

THE WORLD'S  
GREATEST TOY

MECCANO HOURS ARE HAPPY HOURS



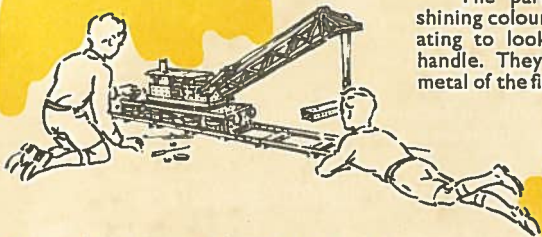
PRODUCT OF 40 YEARS' GROWTH AND DEVELOPMENT



# MECCANO

MECCANO IS FAR MORE THAN A TOY. It is a hobby that gives you hours of happiness, month after month. You never tire of Meccano. It provides you with something new and interesting every time you open your Outfit.

The parts in their shining colours are fascinating to look at and to handle. They are made of metal of the finest quality.



They have been designed by skilled engineers of long experience, and they are produced by vast numbers of wonderful machines that work with faultless accuracy. They come to you in carefully packed Outfits, ready to give you hours of pleasure.

**YOUR THRILLS BEGIN AT ONCE.** There are no tiresome rules to learn, and no special tools to be mastered. You need only a simple Screwdriver and a Spanner, and these are in the Outfit ready for you. You look through the pictures in the Book of Instructions, choose a model that takes your fancy, and begin to build straight away. The thrill grows as the parts fall into position under your fingers, and soon you have the joy of seeing a complete model—made by yourself!

When you have finished admiring and playing with this model, you take it to pieces and build another one with the parts; and again you have the thrill of achievement. So you go on, building model after model; and each one gives you new pleasure because it is different.

THE GREATEST THRILL OF ALL comes when you set your models to work by means of a Meccano Clockwork or Electric Motor. There is nothing to equal the excitement of seeing a model, built by your own hands, working away just like the real thing. When you have had this experience you will know that we are right when we say that **Meccano is the World's Greatest Toy.**

## THE MECCANO OUTFITS

Meccano is made in eleven different Outfits ranging from No. 0, the smallest, to No. 10, the largest. These Outfits are linked together by Accessory or "A" Outfits, which enable you to pass from one Outfit to the next larger without unnecessary duplication of parts. None of your original parts is wasted; you do not have to buy any parts twice over. For instance, if you have a No. 0 Outfit, and you want to pass on to No. 1, you buy a No. 0a Outfit, which provides you with all the additional parts to make the required change. You now have a No. 1 Outfit, and to build this up to the contents of the No. 2 you require a No. 1a Outfit. So you can extend your Outfit step by step by means of the next Accessory Outfit.

In addition, most of the Meccano Parts can be bought separately, so that you can increase your stock of any particular part, or replace parts you may have lost.



# MECCANO

But it is not necessary to begin your Meccano career with the smallest Outfit. You can start with any Outfit in the range without difficulty, because the Book of Instructions packed with each Outfit is specially planned to enable you to do so. For instance, if you buy a No. 3 Outfit, you are not obliged to begin building No. 3 models. The Book includes also pages of No. 0, No. 1 and No. 2 models, so that you can start at the beginning and pass on to the bigger models as you become more expert. **The Book of Instructions for each Outfit includes these pages of models for smaller Outfits.**

Each Book of Instructions contains pictures of a large number of models that can be built with that particular Outfit, with notes on special features of some of the models. The pictures of the models are so clear, and the whole Meccano system is so simple, that you may never need to read these notes at all. They are there to help you if any difficulty occurs.

Each Book of Instructions contains also an illustrated list of all the Meccano parts so that you can identify them.

## INVENTING YOUR OWN MODELS

The pictures in the Books of Instructions show only a selection of the models that can be built with each Outfit. Scores of other

models can be constructed. When you have built all the models shown, or as many of them as take your fancy, try your hand at re-building one or two of them with small alterations that will readily occur to you. This is great fun, and almost before you know you will find yourself departing entirely from the pictures, and building models of your very own design.

**Now you have become an inventor, and a new world of thrills opens up before you!**

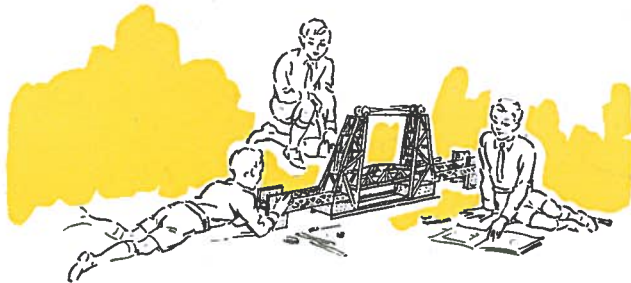


## MECCANO ENGINEERING

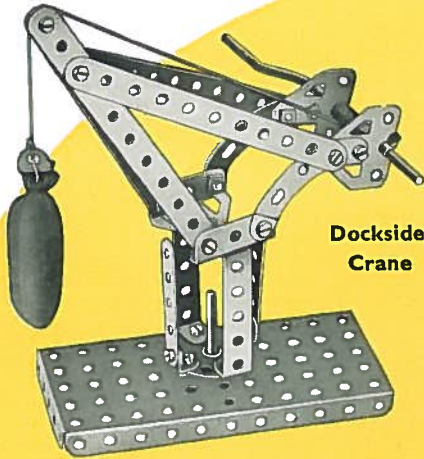
Every keen and intelligent boy is at heart an engineer, in the sense that he wants to know how things work and why each thing works in its own particular way. Book descriptions, even with pictures, are not enough. **Meccano solves the problem by putting the actual mechanism into your hands.**

Even the smallest Outfits enable you to build a variety of models that work on exactly the same principles as the originals. With the larger Outfits you can build machines and engines of all kinds, with their working details reproduced accurately in miniature. Steam engines with cylinders, pistons and valve gear; motor cars with steering mechanism, gear-boxes and differential; machine tools, such as lathes that will actually cut wood or wax; cranes that lift, luff, swivel and travel along; lift and opening bridges—all these and many other fascinating machines and structures can be built and operated by hand or by motors.

**MECCANO IS ENGINEERING IN MINIATURE!**

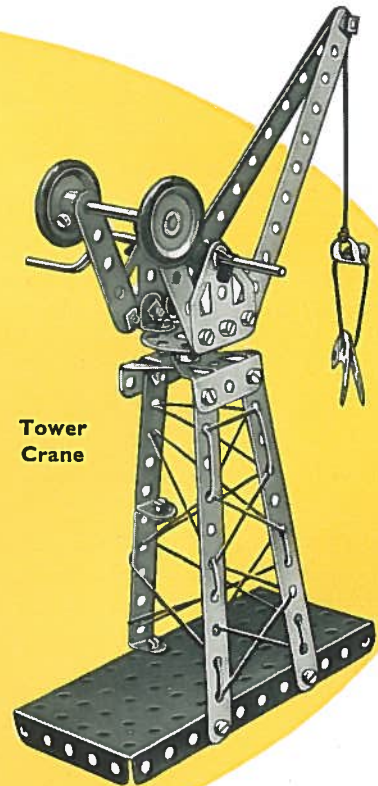


Some of the models that can be built with Outfit No. O

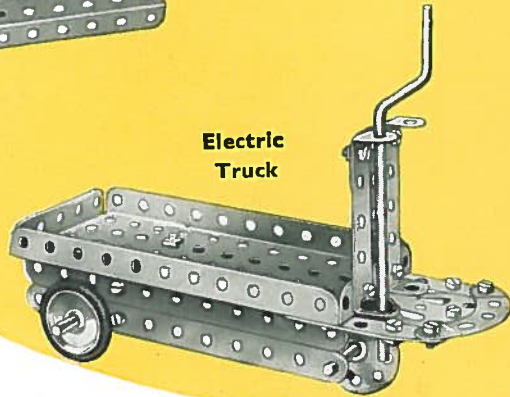


**Dockside  
Crane**

These pictures show  
that you can build  
attractive working  
models with the  
smallest Meccano  
Outfit



**Tower  
Crane**



**Electric  
Truck**



0



The smallest Meccano Outfit  
No. 0

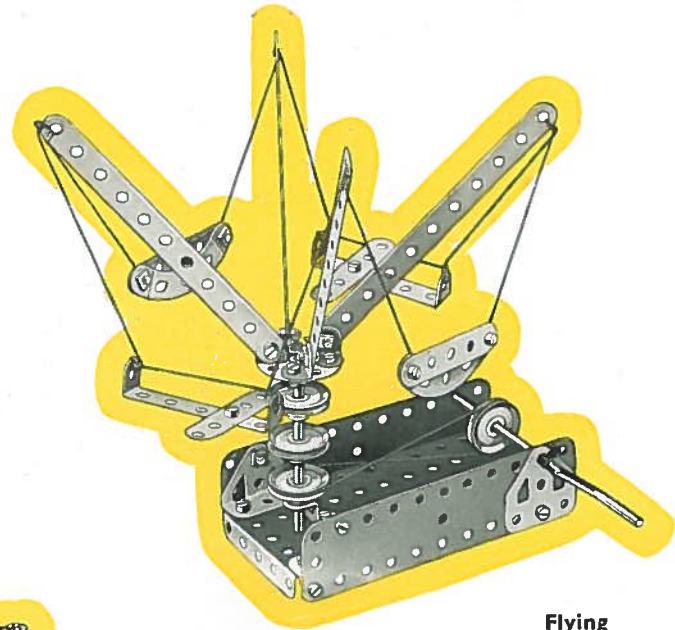
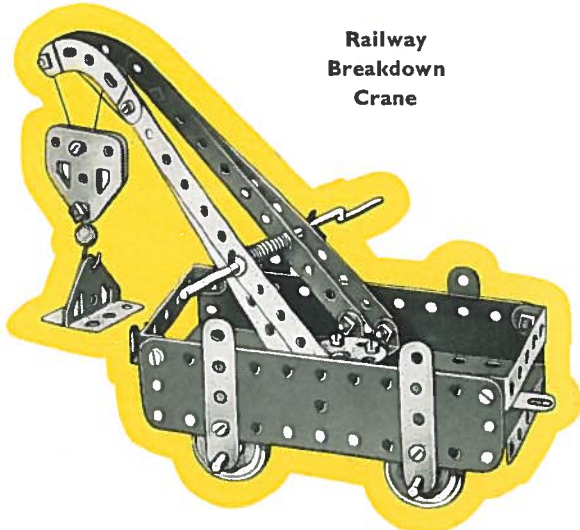
Here is the Accessory Outfit No. 0a,  
which converts the No. 0 into the  
No. 1 shown overleaf



0A

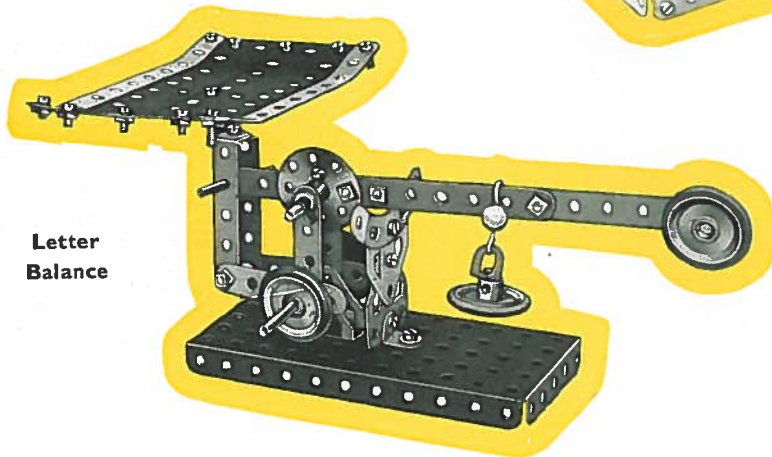
Three of the many models that can be built with Outfit No. 1

**Railway  
Breakdown  
Crane**



**Flying  
Boats**

**Letter  
Balance**





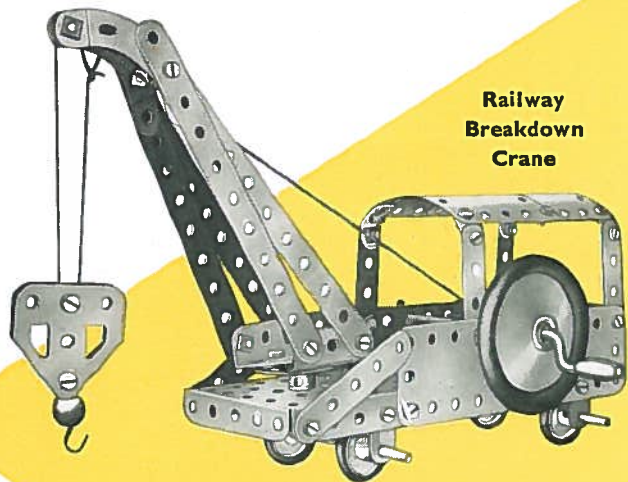
This is  
Meccano Outfit  
No. 1

Accessory Outfit No. 1a,  
which  
converts the No. 1 into the No. 2  
Outfit shown overleaf.

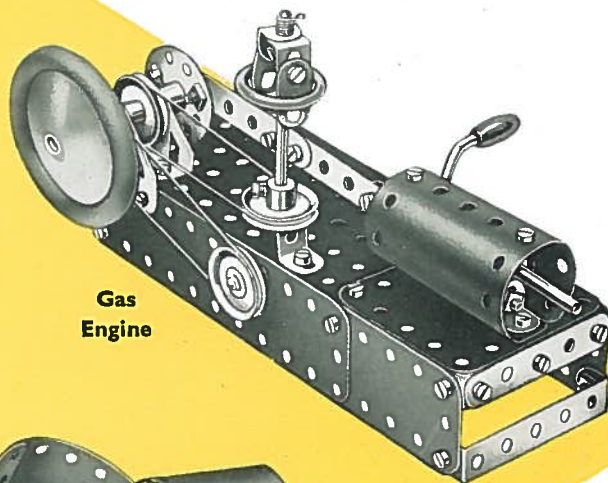




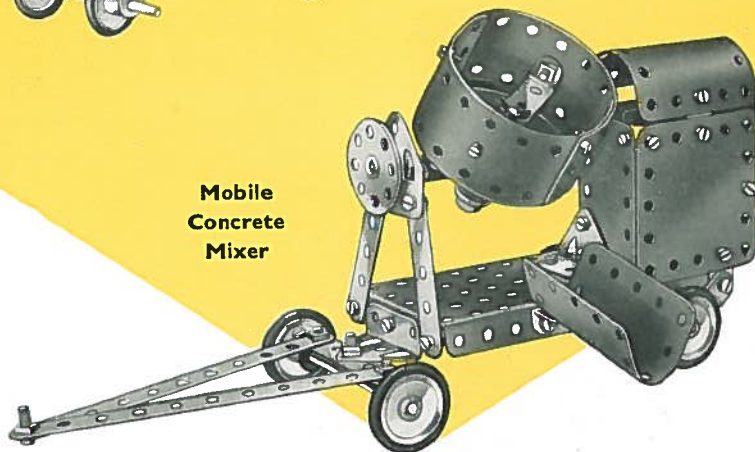
Here are some of the models that can be made with Outfit No. 2



**Railway  
Breakdown  
Crane**



**Gas  
Engine**



**Mobile  
Concrete  
Mixer**



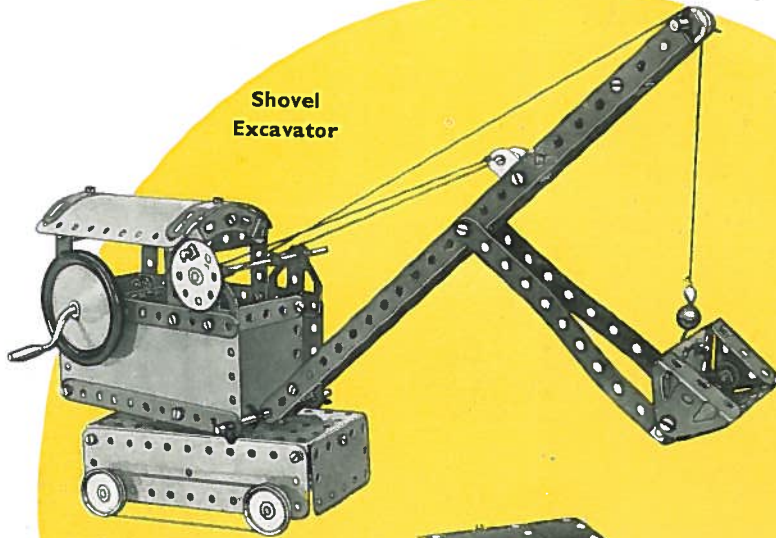
This is  
Meccano Outfit  
No. 2



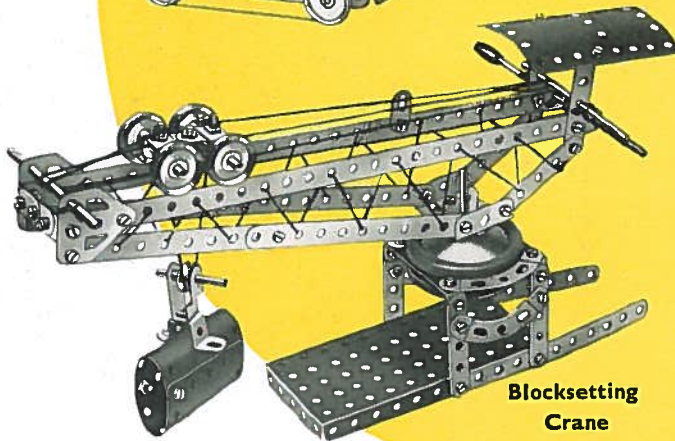
Meccano Accessory Outfit No. 2a,  
which converts the No. 2 into the  
No. 3 Outfit shown overleaf.

A few of the models that any boy can build with Outfit No. 3

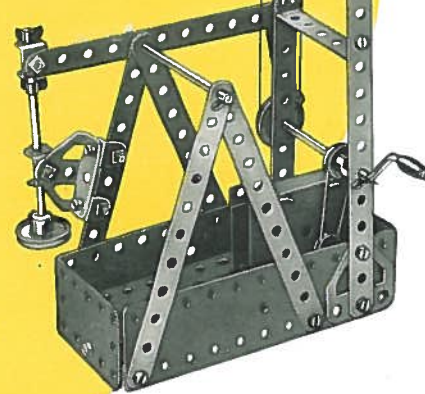
**Shovel  
Excavator**



**Windmill  
Pump**



**Blocksetting  
Crane**



3



Meccano Outfit No. 3

This is Accessory Outfit No. 3a,  
which converts the No. 3 into the  
No. 4 Outfit shown overleaf

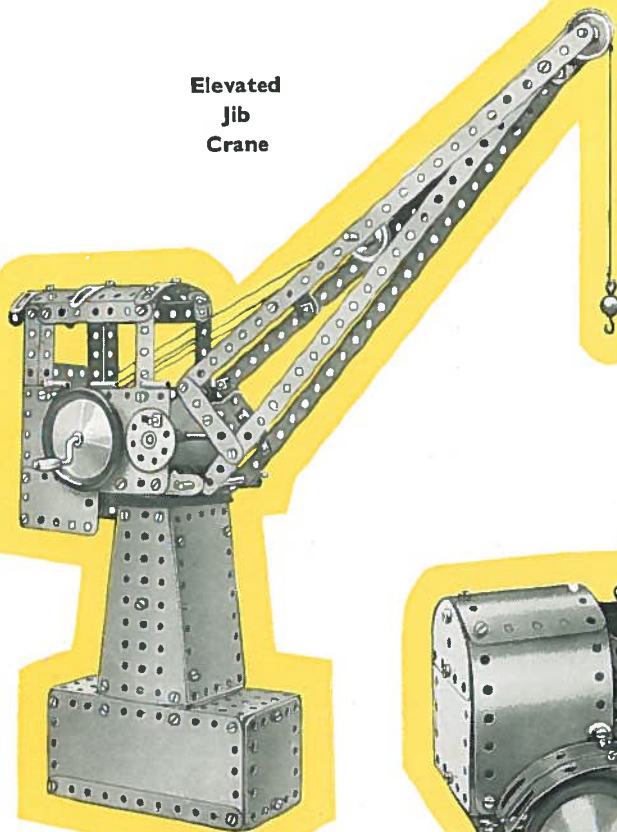


3A

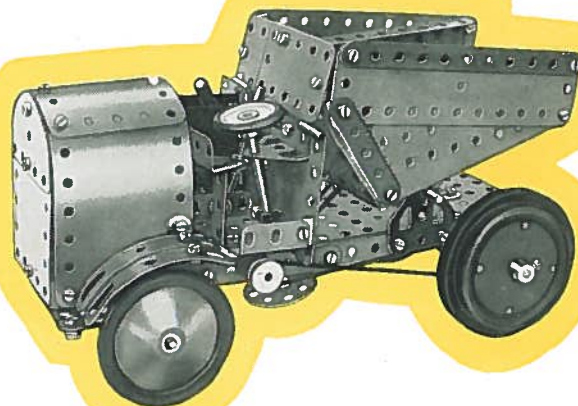
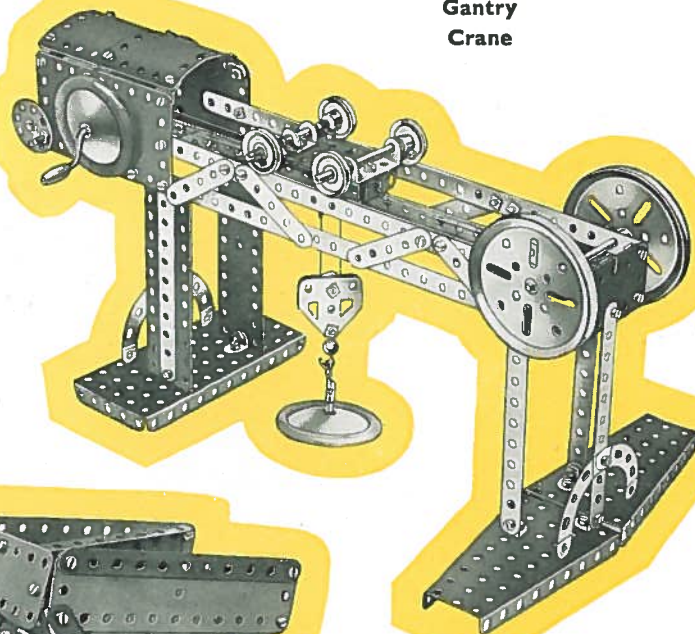


Some typical models that can be built with Outfit No. 4

**Elevated  
Jib  
Crane**



**Gantry  
Crane**



**Dumper  
Truck**



Here is Meccano Outfit No. 4

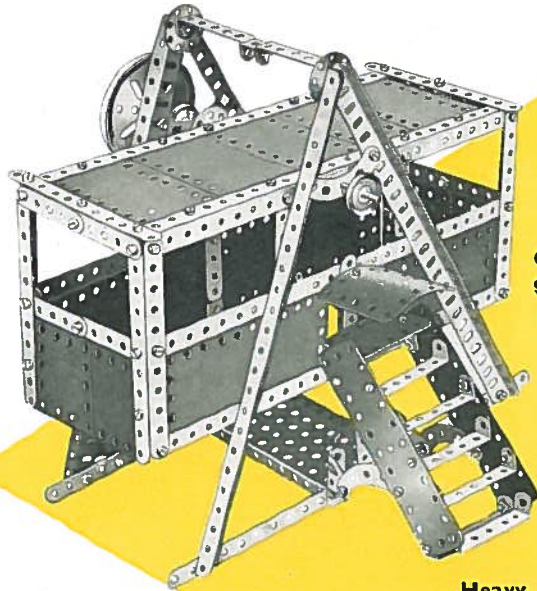
4



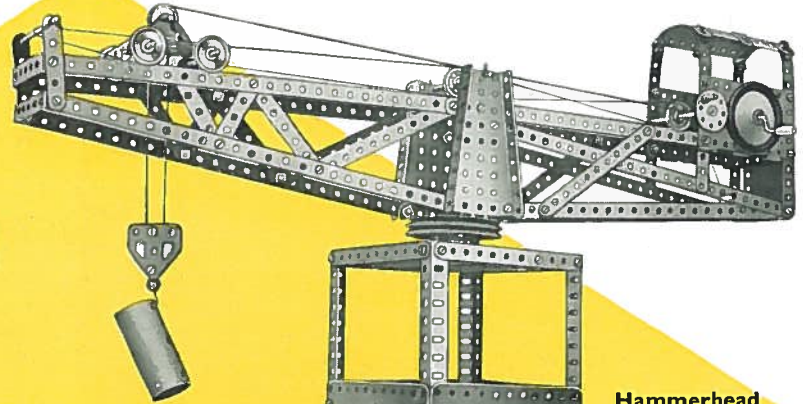
Accessory Outfit No. 4a converts the No. 4 into the No. 5 Outfit

4A

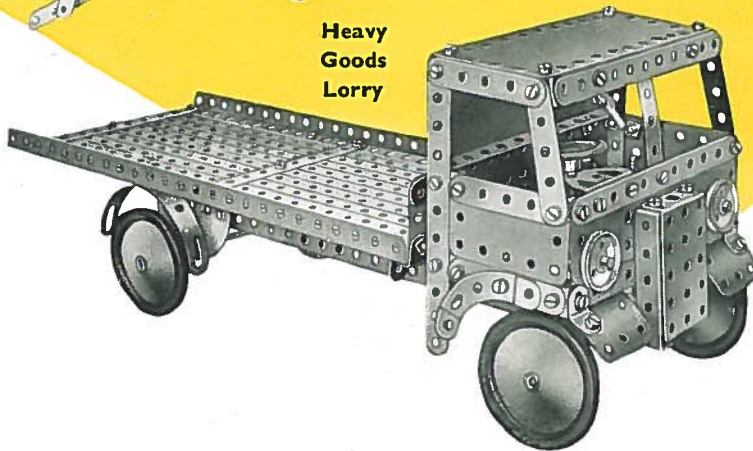
A selection of models that can be built with Meccano Outfit No. 5



**Giant  
Swing  
Boat**



**Hammerhead  
Crane**



**Heavy  
Goods  
Lorry**



This is  
Meccano Outfit  
No. 5

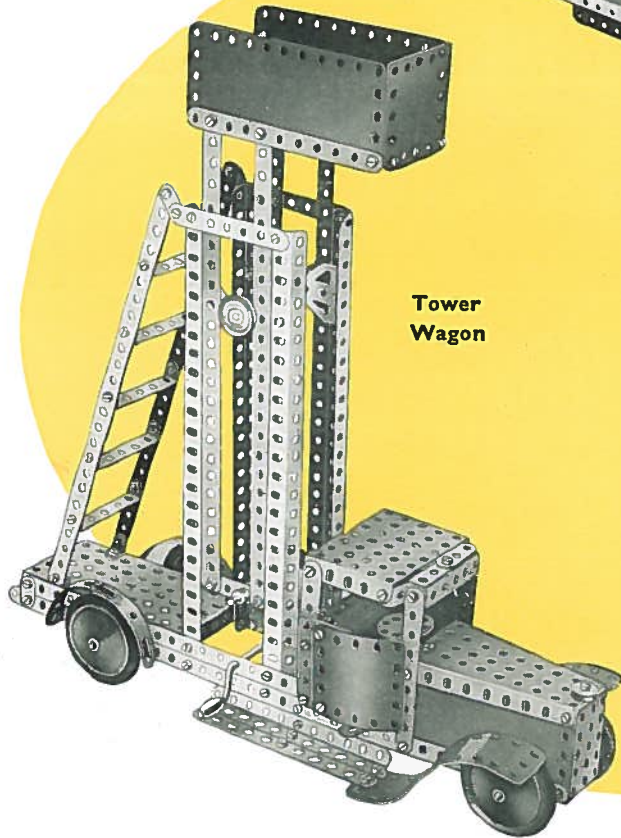


5

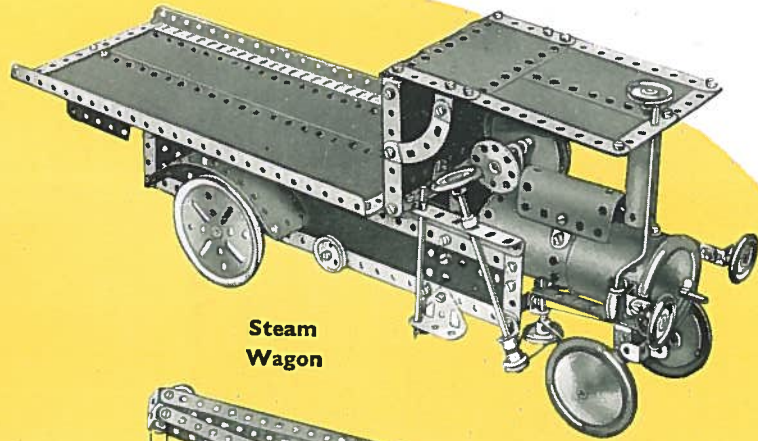
5A

Meccano Accessory Outfit  
No. 5a will convert a No. 5  
into a No. 6 Outfit. The  
No. 6 Outfit is illustrated  
overleaf.

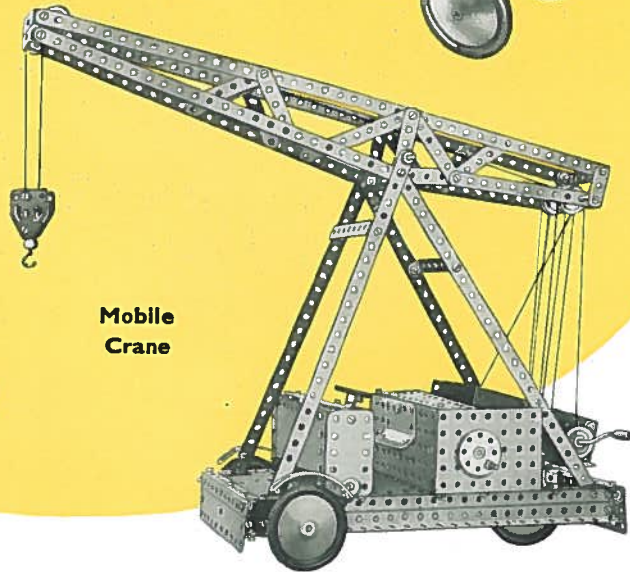
Examples of models that can be built with Outfit No. 6



**Tower  
Wagon**



**Steam  
Wagon**



**Mobile  
Crane**



Meccano Outfit No. 6

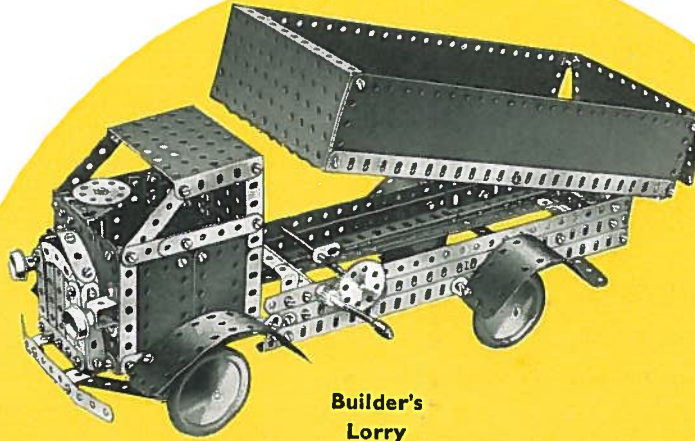


Accessory Outfit No. 6a, converts  
a No. 6 into a No. 7 Outfit.

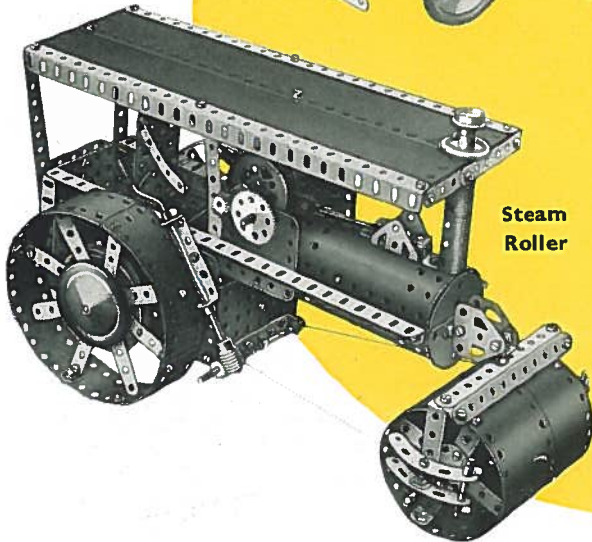
6A



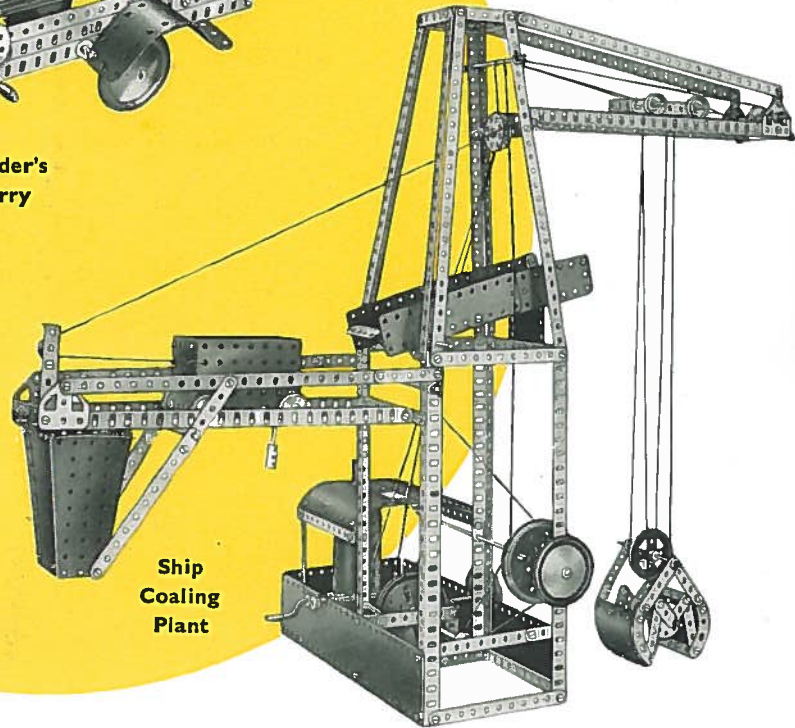
Three of the many models that can be built with Meccano Outfit No. 7



**Builder's  
Lorry**



**Steam  
Roller**



**Ship  
Coaling  
Plant**

7



Meccano Outfit No. 7

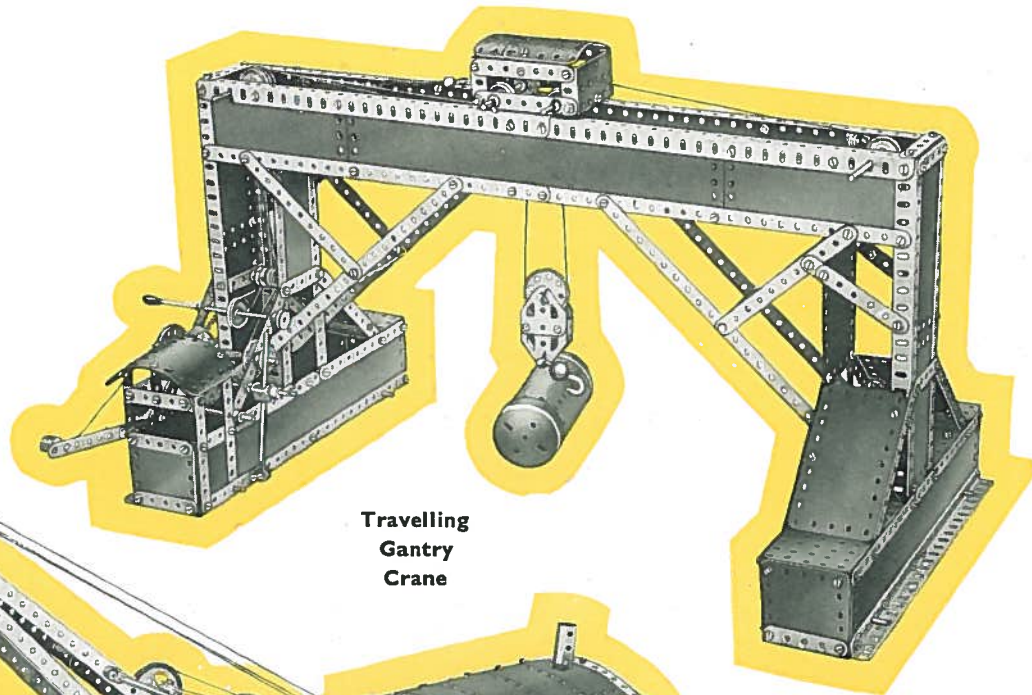
7A

Here is Accessory Outfit No. 7a  
which converts the No. 7 into the  
No. 8 Outfit shown overleaf

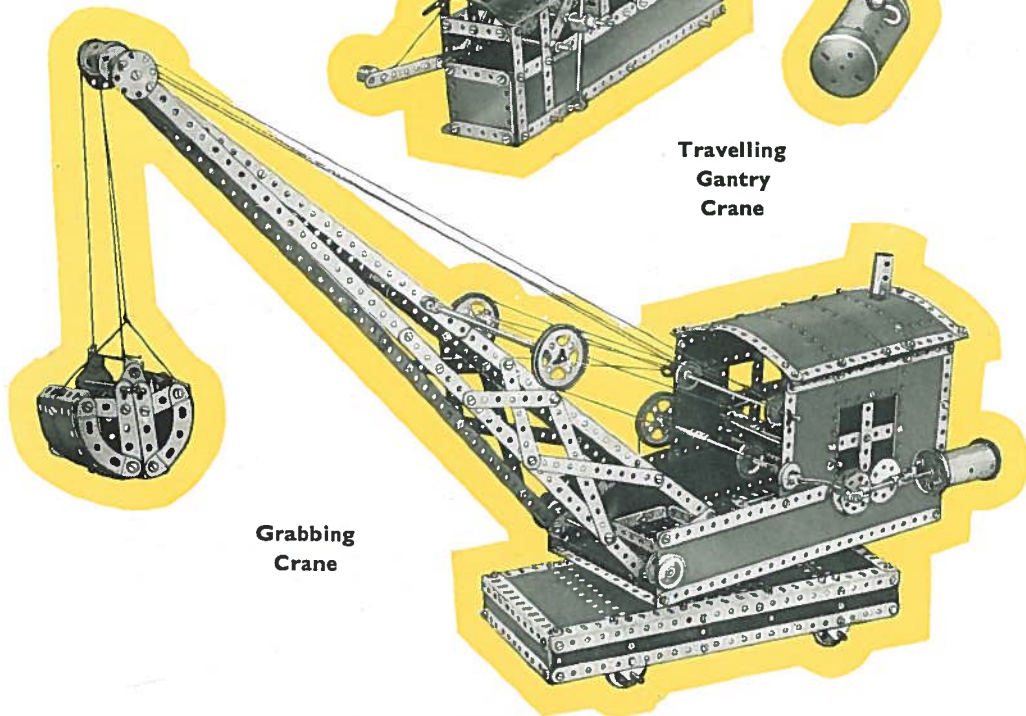




Two fine models  
from the range  
that can be built with  
Meccano Outfit No. 8



**Travelling  
Gantry  
Crane**



**Grabbing  
Crane**





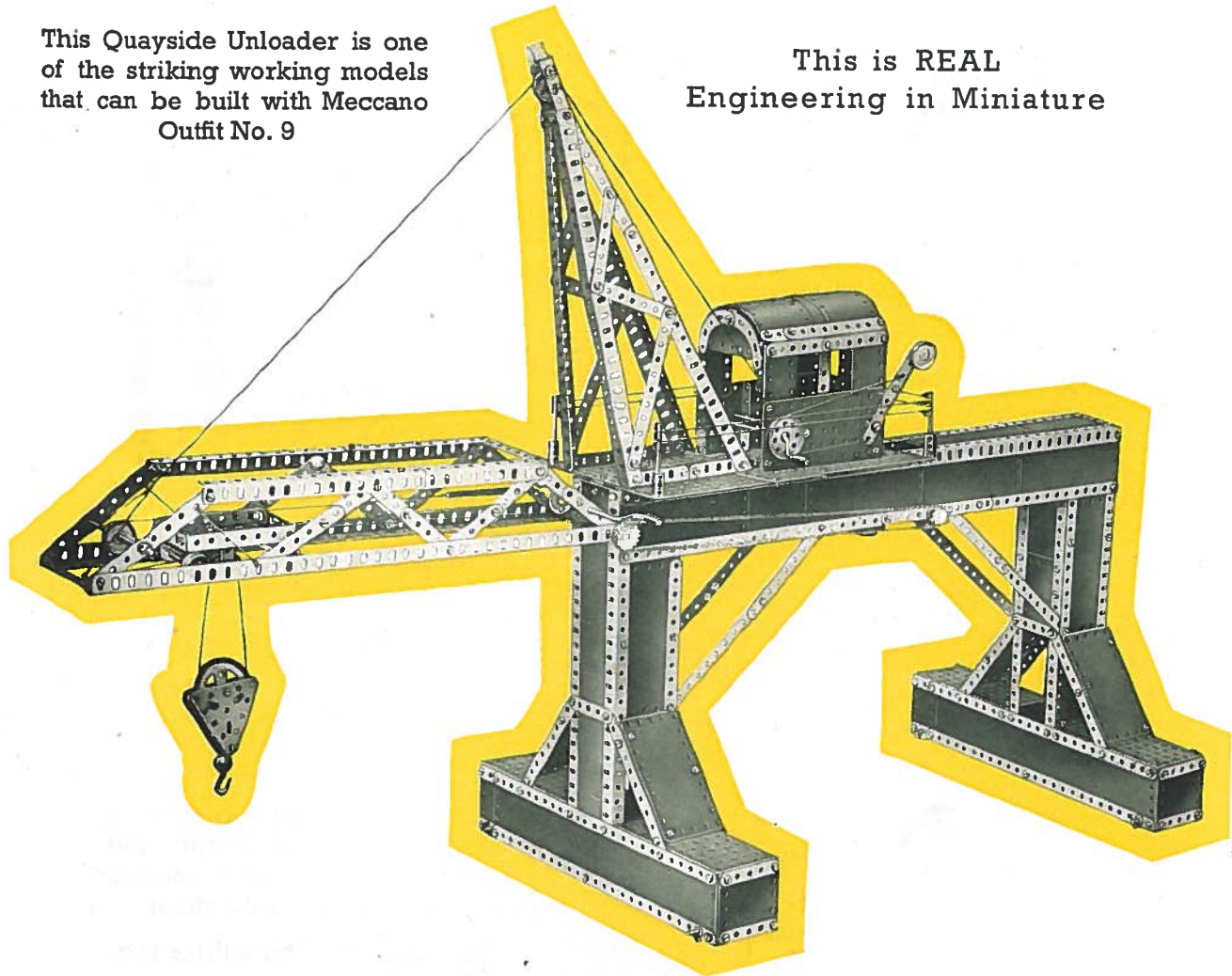
The No. 8 Meccano Outfit



Accessory Outfit No. 8a which  
converts the No. 8 into the No. 9  
Outfit shown overleaf

This Quayside Unloader is one of the striking working models that can be built with Meccano Outfit No. 9

This is REAL Engineering in Miniature





With this splendid No. 9 Outfit you can build magnificent models like that shown opposite:

**The Meccano Motors for driving Meccano Models are illustrated on the next page.**



In this booklet we have shown you the Meccano Outfits and some of the splendid models that can be built with them.

Ask your dealer for a Price List.



HERE IS A No. 7 MECCANO OUTFIT opened up to show the variety of parts and their attractive colour and finish. An Outfit like this will lead you straight into the wonderful world of model building in which the hours are full of thrills and the joy of seeing your own ideas come to life.

MADE IN ENGLAND BY MECCANO LIMITED



- A. Meccano Magic Motor  
(Clockwork. Non-reversing)
- B. Meccano Clockwork Motor  
No. 1 (Reversing)
- C. Meccano EO6 Electric Motor  
(6-volt non-reversing)