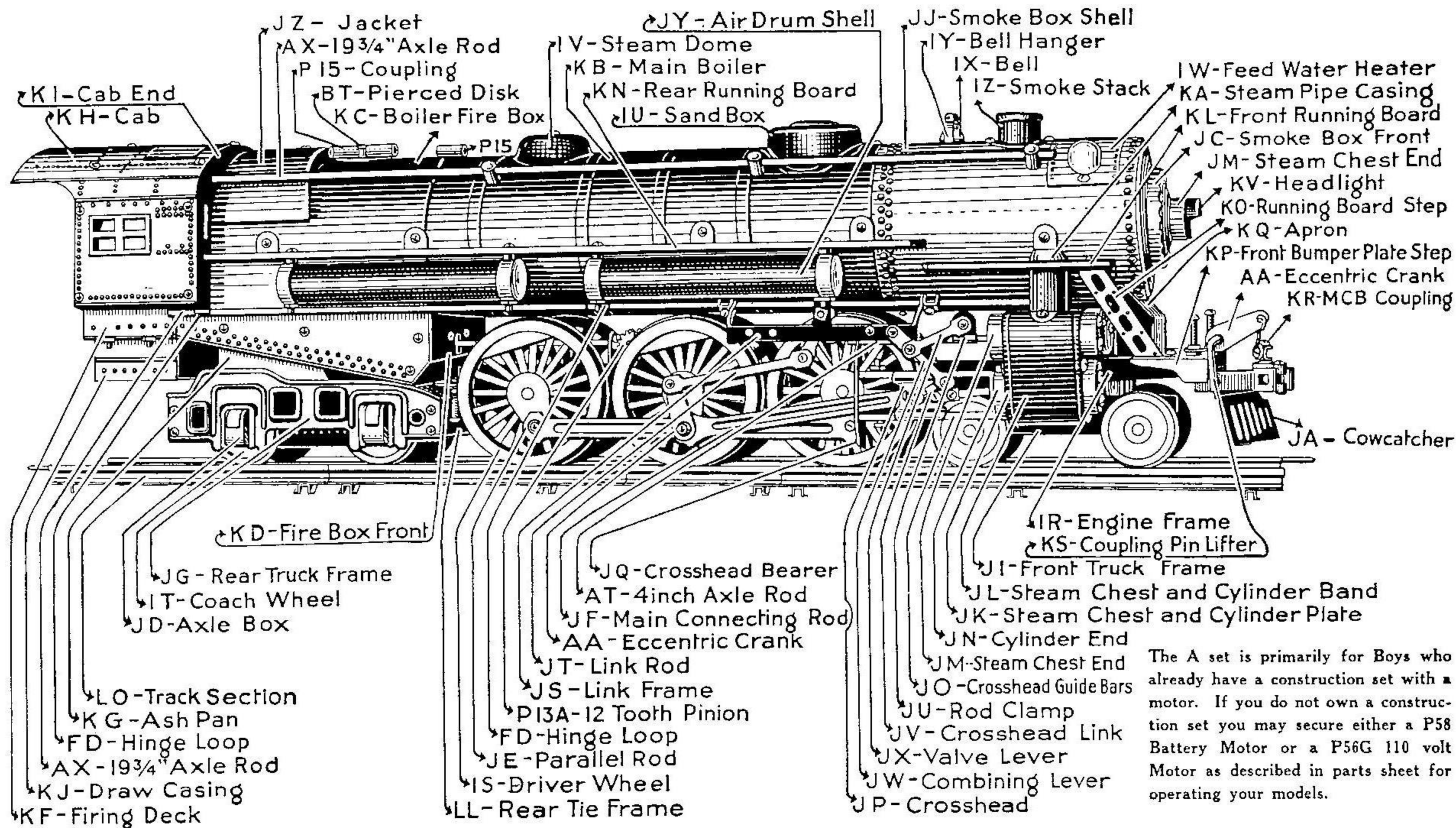


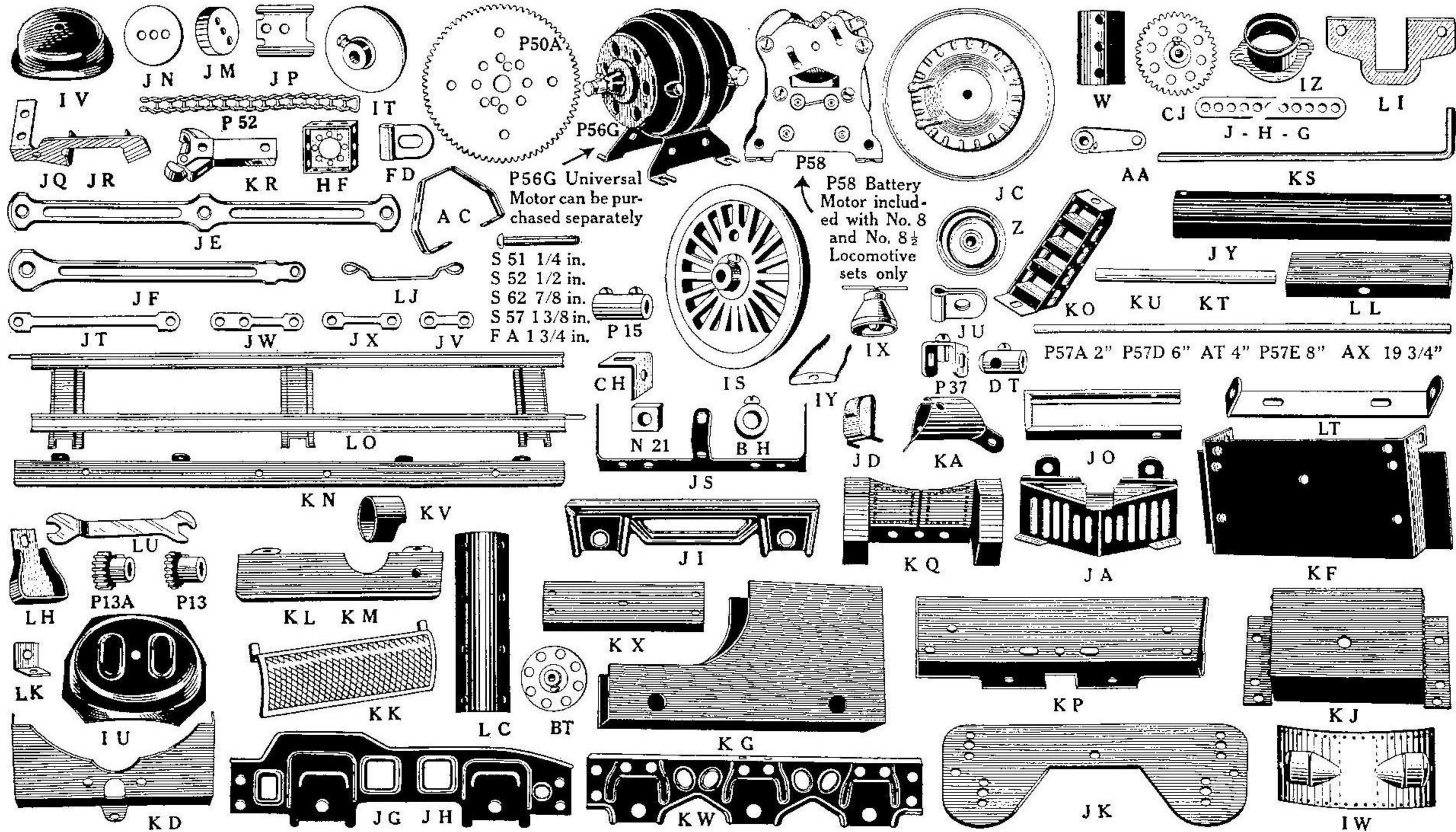
Models Built with No. A Set

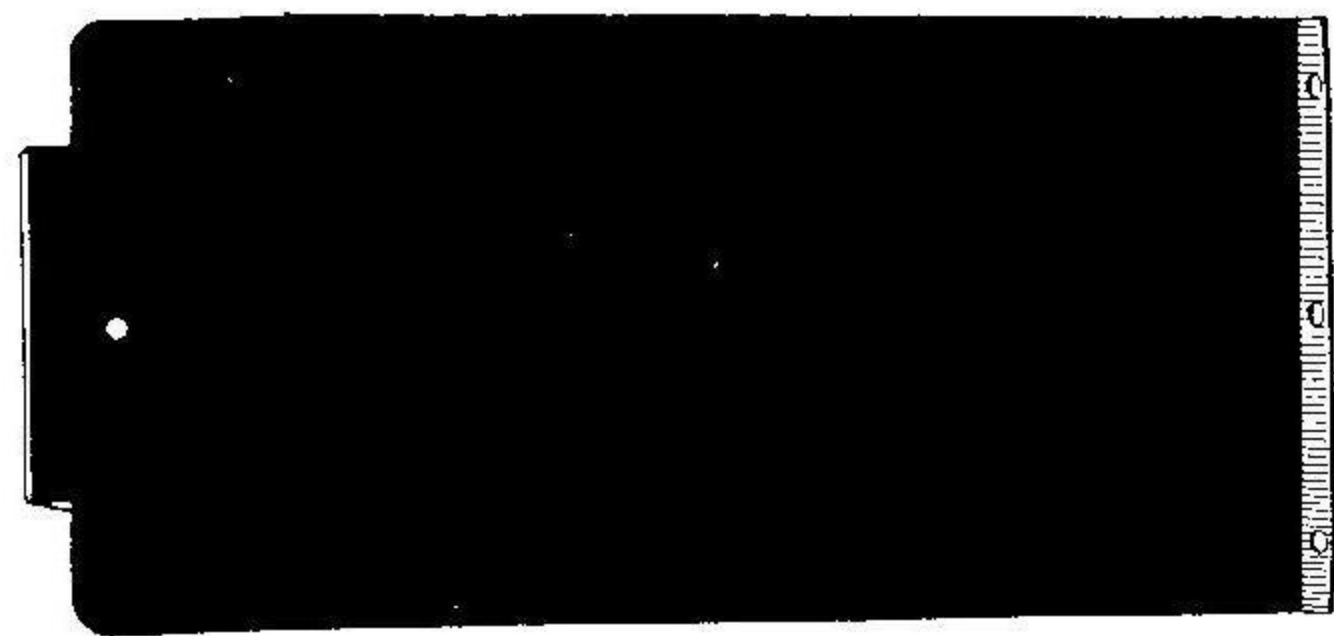
SECTION A



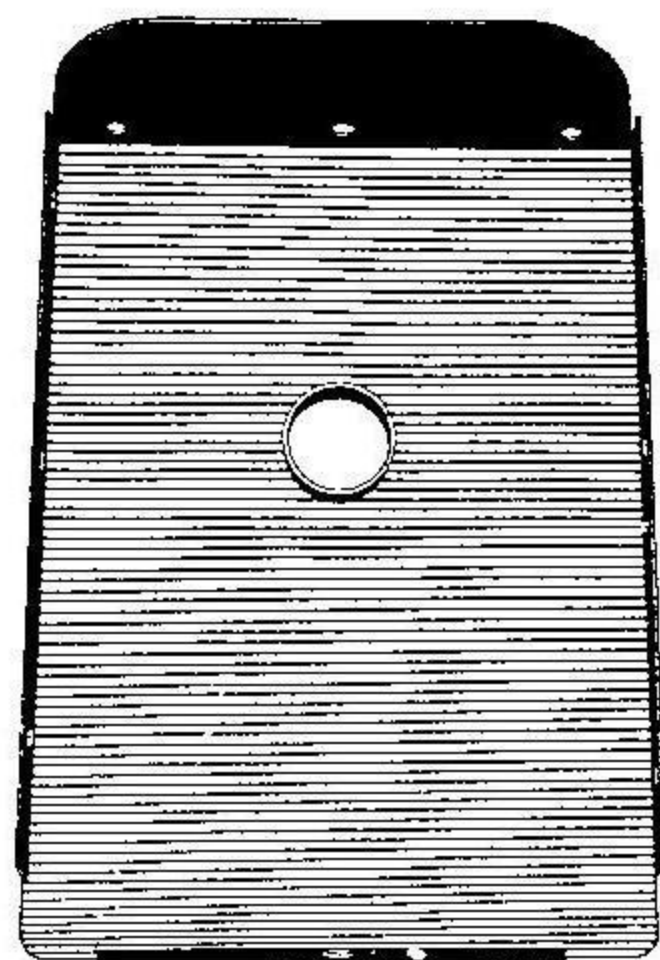
The A set is primarily for Boys who already have a construction set with a motor. If you do not own a construction set you may secure either a P58 Battery Motor or a P56G 110 volt Motor as described in parts sheet for operating your models.

Locomotive and Tender Separate Parts

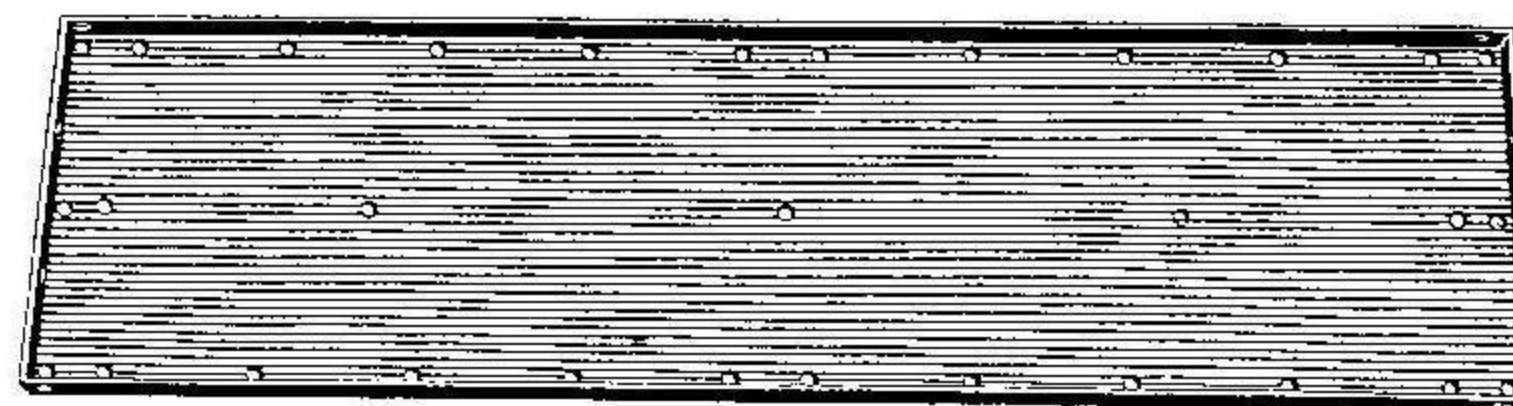




LG



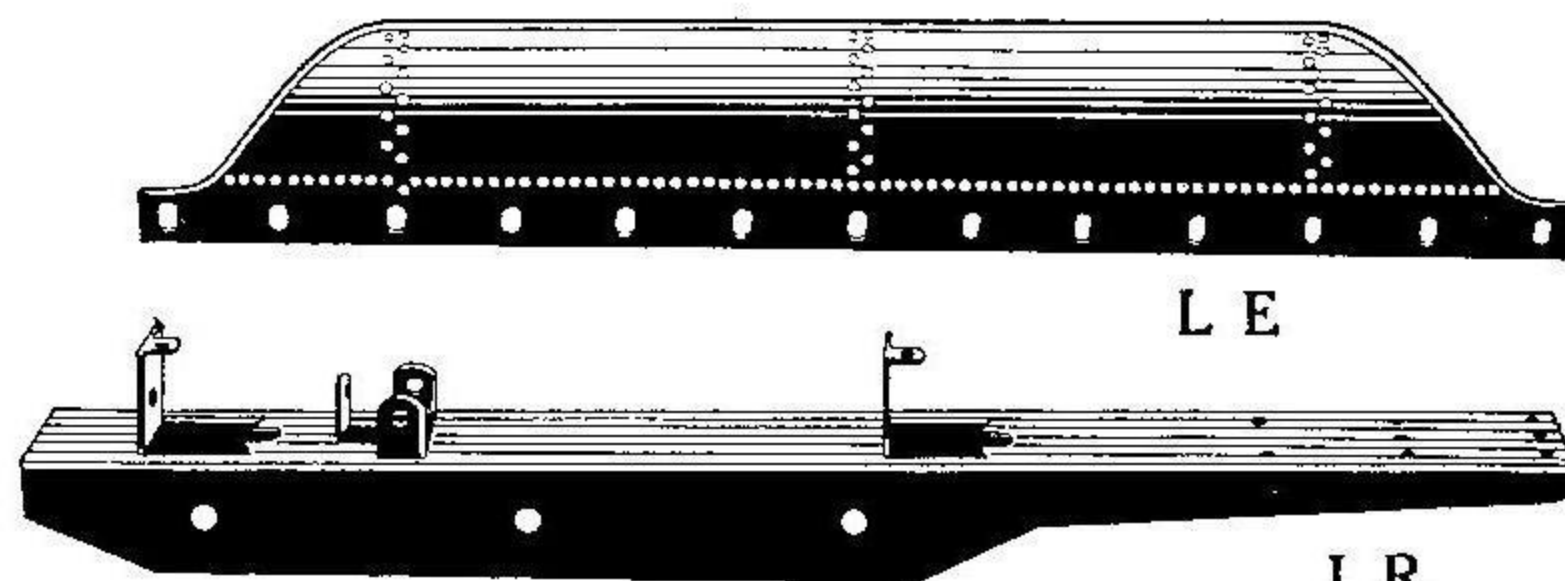
LF



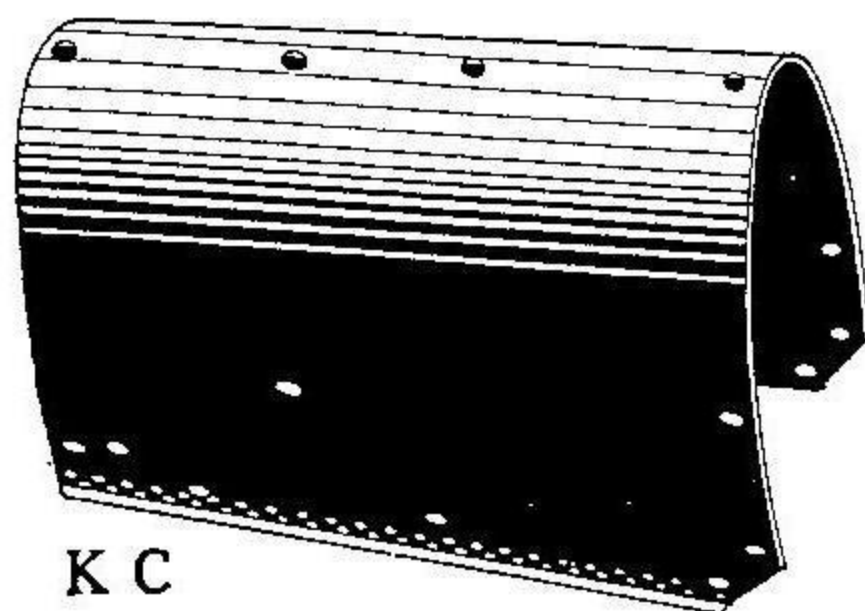
KZ



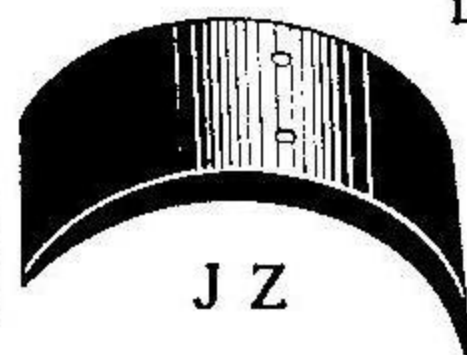
LA



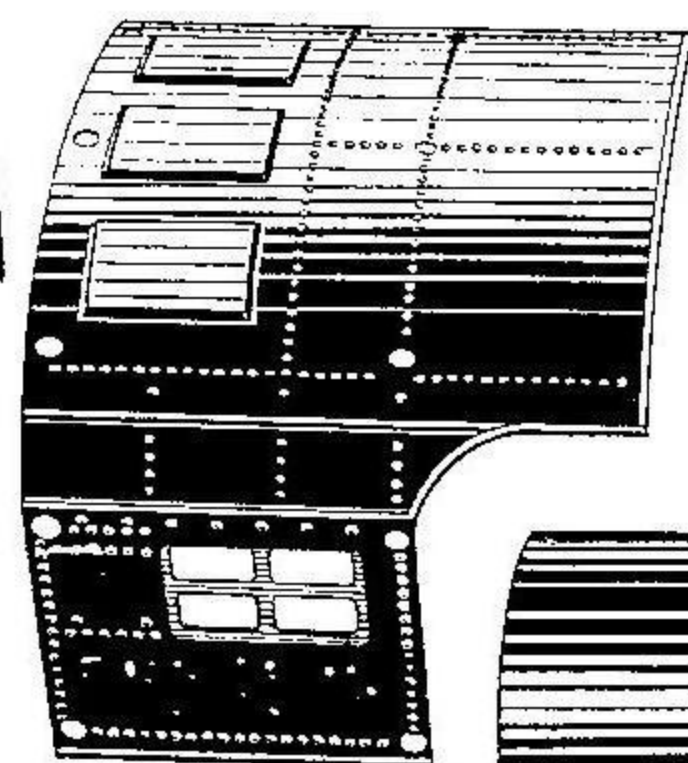
LE



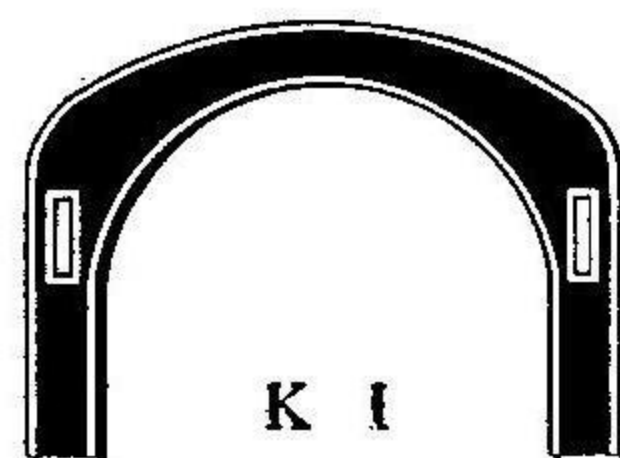
KC



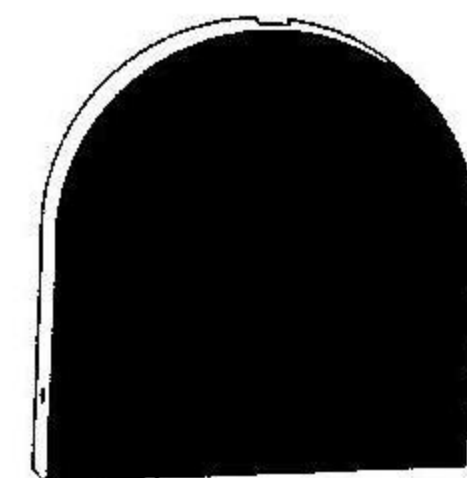
JZ



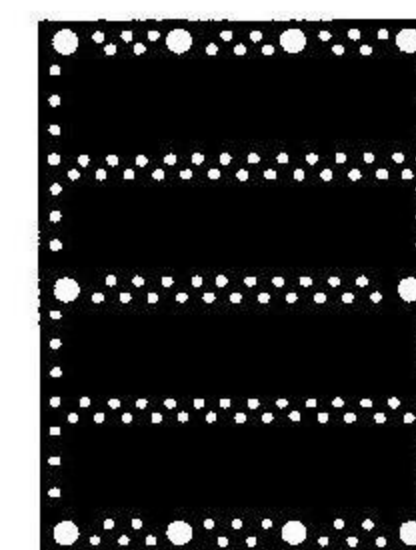
KH



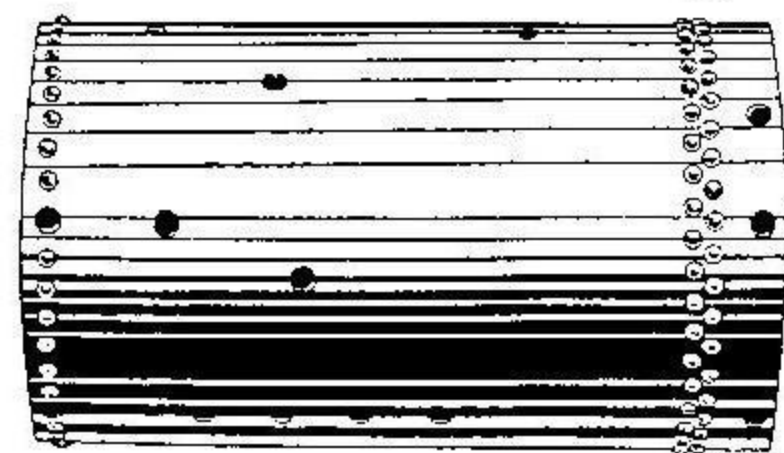
KI



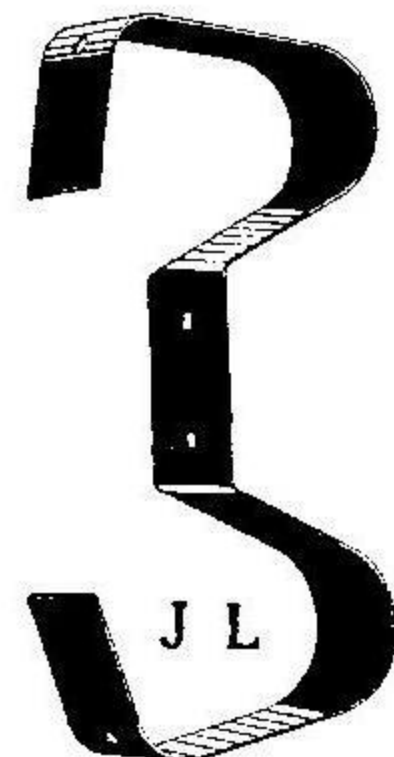
KE



IR



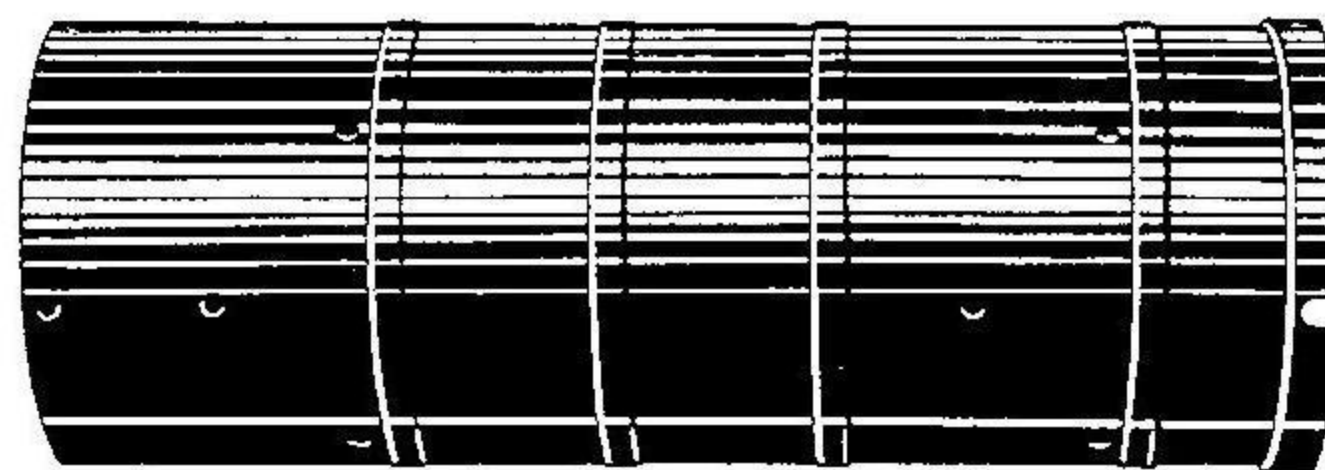
JJ



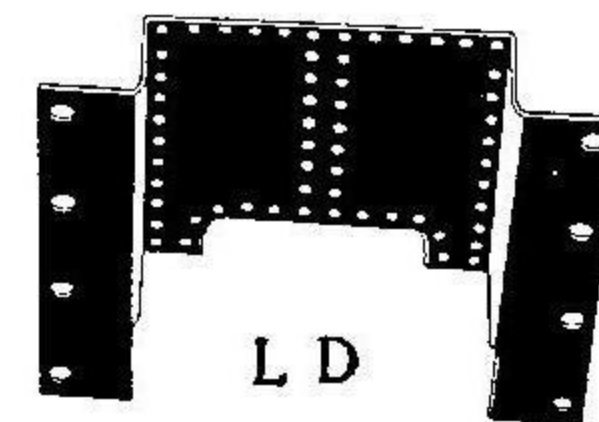
JL



LS



KB



LD

LB

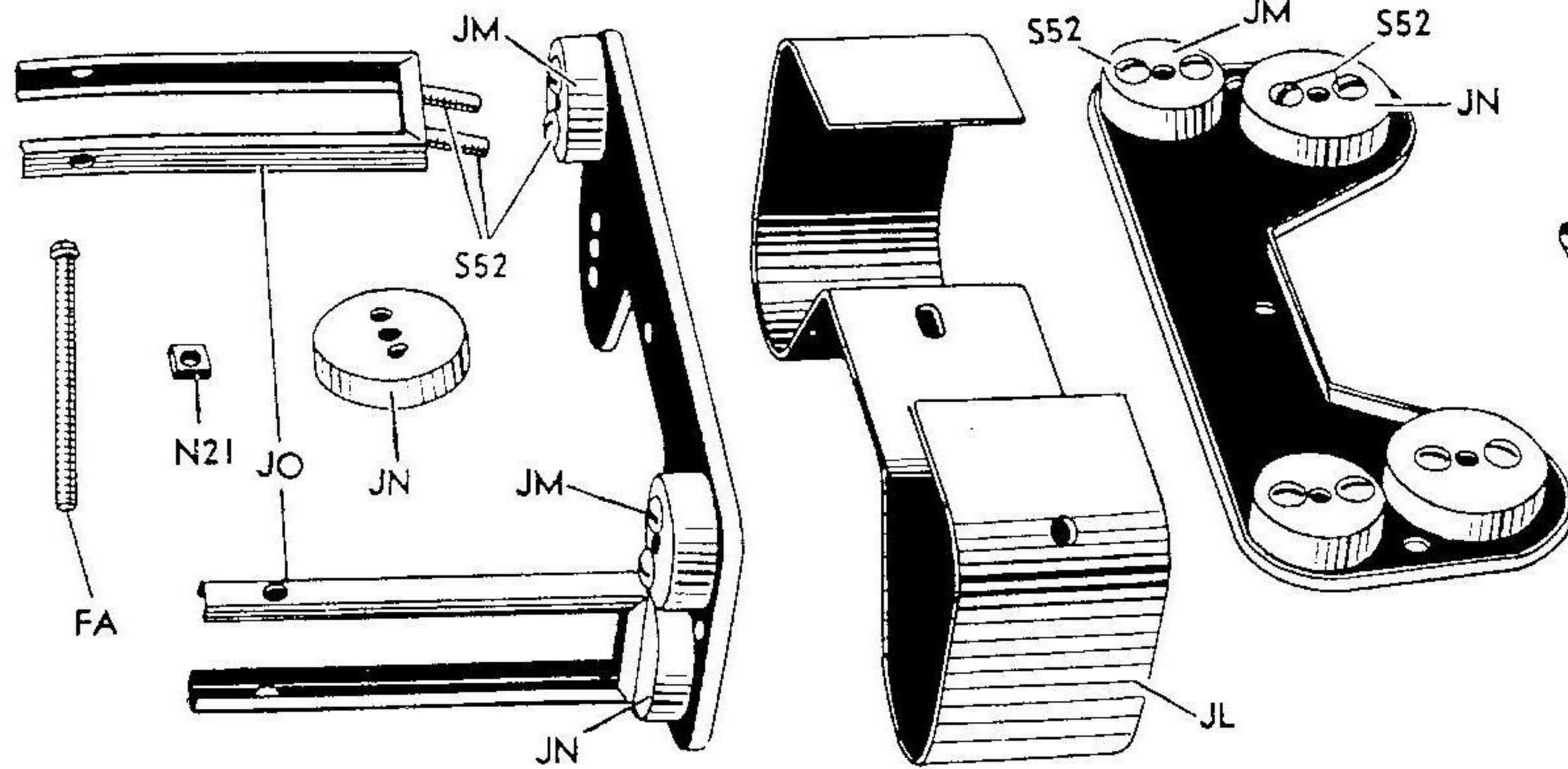
LOCOMOTIVE AND TENDER SEPARATE PARTS PRICES

Most all dealers carry Locomotive and Tender Separate Parts. If unable to obtain in your city, send us your check, money order or stamps for the parts you want and we will be glad to send your order direct from here if you will send us the name of your dealer.

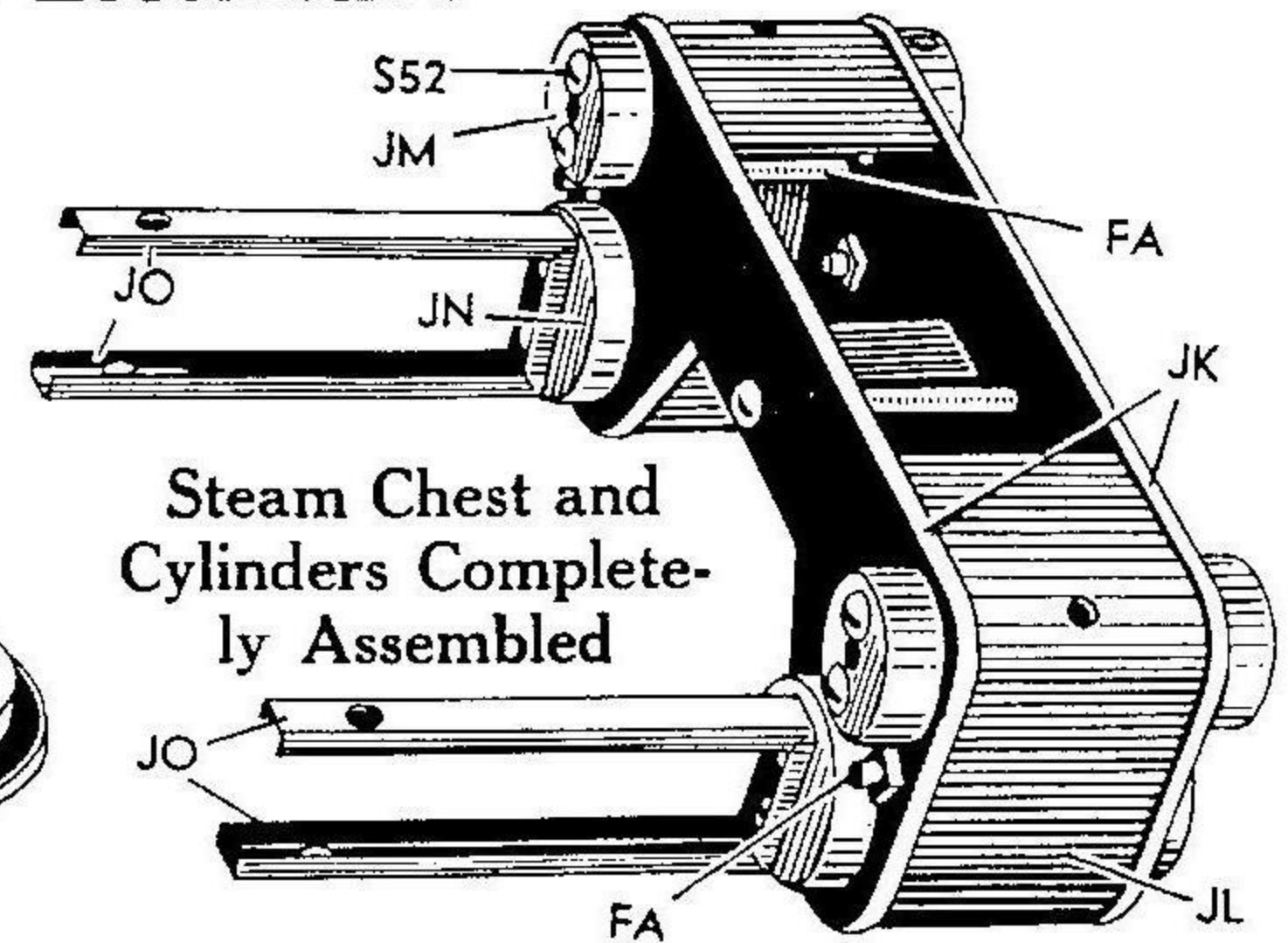
A. C. GILBERT COMPANY, NEW HAVEN, CONN., U. S. A.

Trade No.	Name of Part	Page	Price	Trade No.	Name of Part	Page	Price	Trade No.	Name of Part	Page	Price	Trade No.	Name of Part	Page	Price
IR	Engine Frame	3	\$.35 ea.	JW	Combining Lever	2	2 for .05	HF	Butt End Plate	2	\$.10 ea.	FD	Hinge Loop	2	2 for .05
IS	Driver Wheels	2	.30 ea.	JX	Valve Lever	2	3 for .05	FA	1 1/4" x 8-32 screw	2	.20 doz.	CH	Right Angle	2	.10 doz.
IT	Coach Wheel	2	.15 ea.	JY	Air Drum Shell	2	.05 ea.	JY	Rear Tie Frame	2	.05 ea.	AA	Eccentric Crank	2	.10 ea.
IU	Sand Box	2	.10 ea.	JZ	Jacket	3	.10 ea.	KW	Truck Frames	2	.10 ea.	H	11 Hole Strip	2	.15 doz.
IV	Steam Dome	2	.05 ea.	KA	Steam Pipe Casing	2	.05 ea.	KX	Truck Bolster	2	.05 ea.	W	Stack	2	.05 ea.
IW	Feed Water Heater	2	.05 ea.	KB	Main Boiler	3	.35 ea.	KZ	Tender Base Plate	3	.50 ea.	Z	Flanged Wheel	2	.15 ea.
IX	Bell	2	.15 ea.	KC	Boiler Fire Box	3	.10 ea.	LB	Tender Back Plate	3	.10 ea.	P58	Motor, 6 to 24 volt	2	.95 ea.
IY	Bell Hanger	2	.05 ea.	KD	Fire Box Front	2	.05 ea.	LC	Corner Plate	2	.05 ea.	P56G	Motor, 110 volts	2	3.95 ea.
IZ	Smoke Stack	2	.10 ea.	KE	Boiler Backhead	3	.10 ea.	LD	Front Fuel Board	3	.10 ea.	P52	Ladder Chain 11 in. Long	2	.15 ea.
JA	Cow Catcher	2	.15 ea.	KF	Firing Deck	2	.10 ea.	LE	Side Fuel Board	3	.20 ea.	P57A	2 in. Axle Rod	2	.02 ea.
JC	Smoke Box Front	2	.15 ea.	KG	Ash Pan	2	.10 ea.	LA	Tender Side Plate	3	.45 ea.	AT	4 in. Axle Rod	2	.04 ea.
JD	Axle Box	2	.05 ea.	KH	Cab	3	.50 ea.	LF	Back Fuel Bd with Deck	3	.30 ea.	P57D	6 in. Axle Rod	2	.06 ea.
JE	Parallel Rods	2	.05 ea.	KI	Cab Ends	3	.50 ea.	LG	Fuel Slide	3	.20 ea.	P57E	8 in. Axle Rod	2	.08 ea.
JF	Main Connecting Rods	2	.05 ea.	KJ	Draw Casing	2	.10 ea.	LH	Tender Step	2	.05 ea.	AX	1 9/16 in. Axle Rod	2	.20 ea.
JG	Rear Truck Frame, right	2	.10 ea.	KL	Front Runng Board, right	2	.10 ea.	LI	Coupling Yoke	2	.05 ea.	DT	One set screw coupling	2	2 for .15
JH	Rear Truck Frame, left	2	.10 ea.	KM	Front Runng Board, left	2	.10 ea.	LJ	Tank Handle	2	.05 ea.	P50A	72 Tooth Gear	2	.30 ea.
JI	Front Truck Frame	2	.10 ea.	KK	Firing Deck Plate	2	.05 ea.	LK	Tender Step Angle	2	.05 ea.	Not Illustrated			
JJ	Smoke Box Shell	3	.20 ea.	KN	Rear Running Board	2	.10 ea.	S51	1/4 x 8-32 Screws	2	.10 doz.	Trade No.	Name of Part	Price	
JK	Steam Chest & Cyl. Plates	2	.10 ea.	KO	Running Board Step	2	.10 ea.	S62	3/8 x 8-32 Screws	2	.15 doz.	G	7 hole strip	\$.10 doz	
JL	Steam Chest & Cyl. Band	3	.10 ea.	KP	Front Bumper Plate Step	2	.10 ea.	S57	1-3/8 x 8-32 Screws	2	.20 doz.	J	41 hole strip	.30 doz.	
JM	Steam Chest End	2	.05 ea.	KQ	Apron	2	.05 ea.	S52	1/2 x 8-32 Screws	2	.12 doz.	S	Large Base Plate -- 21 holes	.40 ea.	
JN	Cylinder End	2	.05 ea.	KR	M.C.B. Coupling	2	.45 ea.	N21	8-32 Square Nut	2	.15 doz.	AF	Small Hook	.15 doz.	
JO	Crosshead Guide Bars	2	.05 ea.	KS	Coupling Pin Lifter	2	.01 ea.	BH	Solid Collar	2	2 for .05	IO	Wood Screw	.15 doz.	
JP	Crossheads	2	.05 ea.	KT	1/2" Axle Rod 3 1/2" long	2	.05 ea.	P37	Formed Collar	2	.25 doz.	BN	Regular Turret Plate	.15 ea.	
JQ	Crosshead Bearer, right	2	.05 ea.	KU	1/2" Axle Rod 3 1/2" long	2	.06 ea.	P15	Coupling	2	.10 ea.	BL	Small Washer	.05 doz.	
JR	Crosshead Bearer, left	2	.05 ea.	KV	Headlight	2	.05 ea.	BT	Pierced Disc	2	.10 ea.	DP	12 in. Slotted Angle Strips	6 for \$.50	
JS	Link Frame	2	.05 ea.	LO	Track Section	2	.15 ea.	P13	12 Tooth Pinion	2	.10 ea.	ERECTOR LOCOMOTIVE MANUALS			
JT	Link Rod	2	2 for .05	LS	Jack	3	.05 ea.	P13A	12 Tooth Pinion (Special)	2	.10 ea.	No. A	Locomotive Manual	\$.25 ea.	
JU	Rod Clamp	2	.05 ea.	LT	Motor Support Bracket	2	2 for .05	CJ	36 Tooth Gear	2	.20 ea.	No. 8	Locomotive Manual	\$.25 ea.	
JV	Crosshead Link	2	2 for .05	LU	Offset Wrench	2	.05 ea.	AC	Universal Bracket	2	.10 ea.	No. 8 1/2	Locomotive Manual	\$.50 ea.	

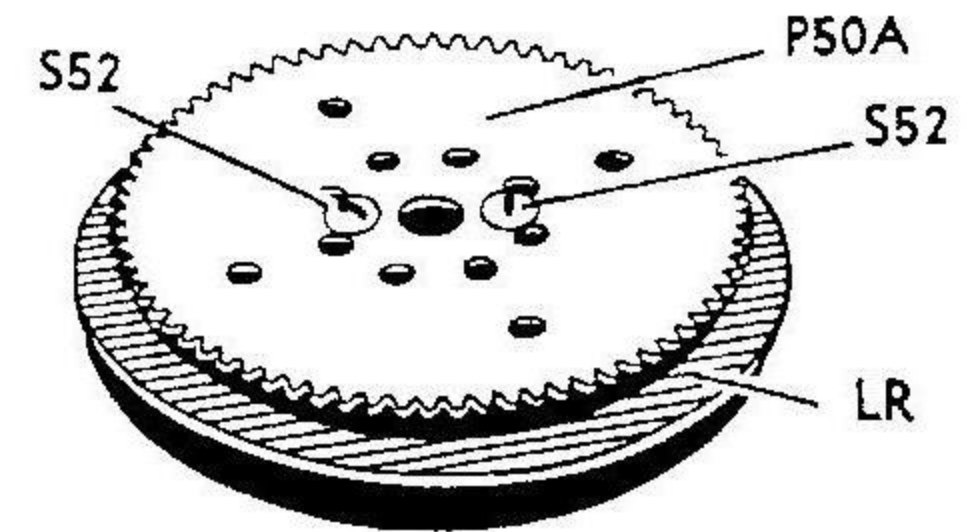
Steps of Progress in Assembly of Locomotive



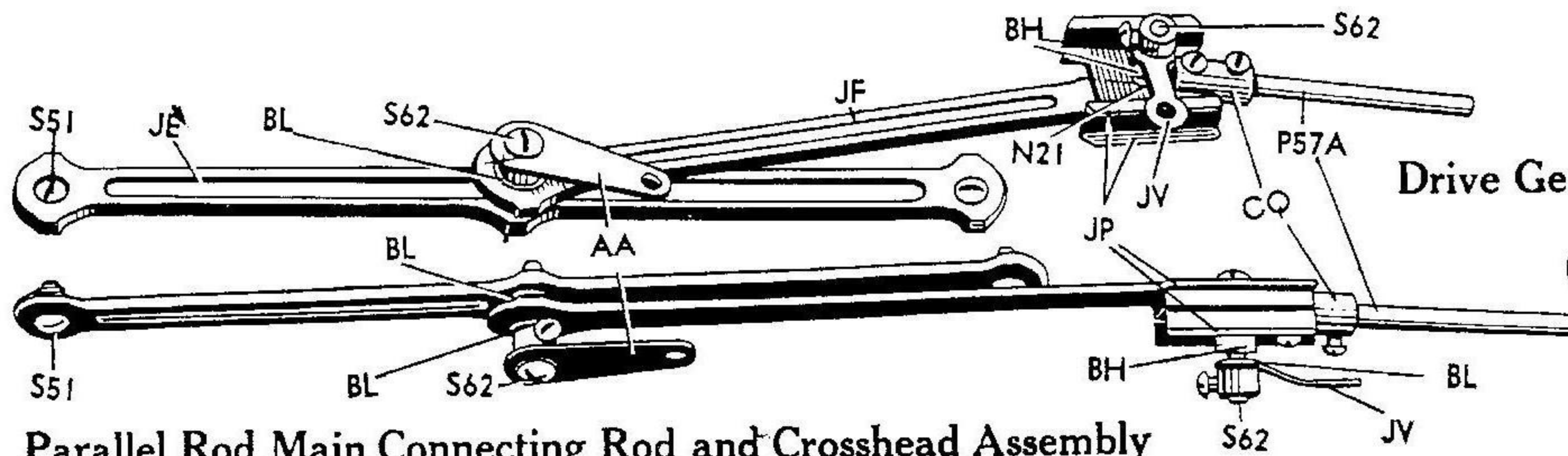
Steam Chest and Cylinders Assembly



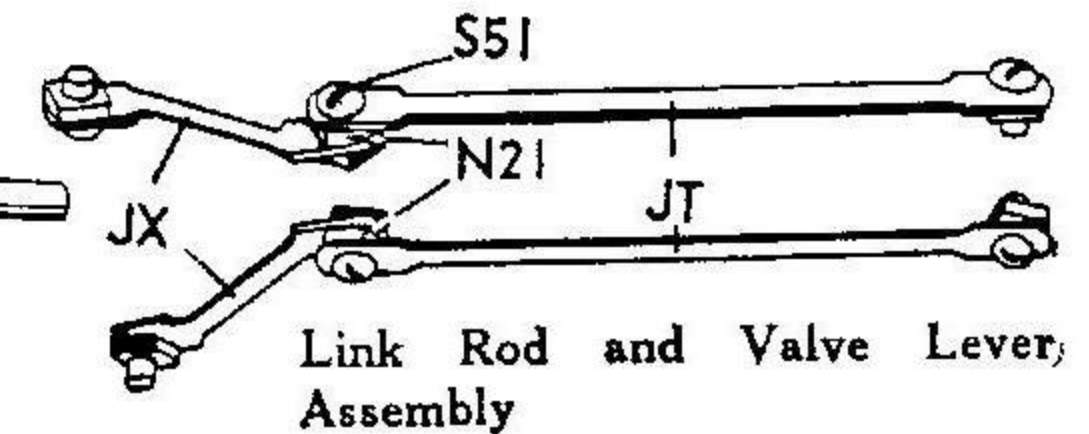
Steam Chest and Cylinders Completely Assembled



Drive Gear and Drive Wheel Assembly

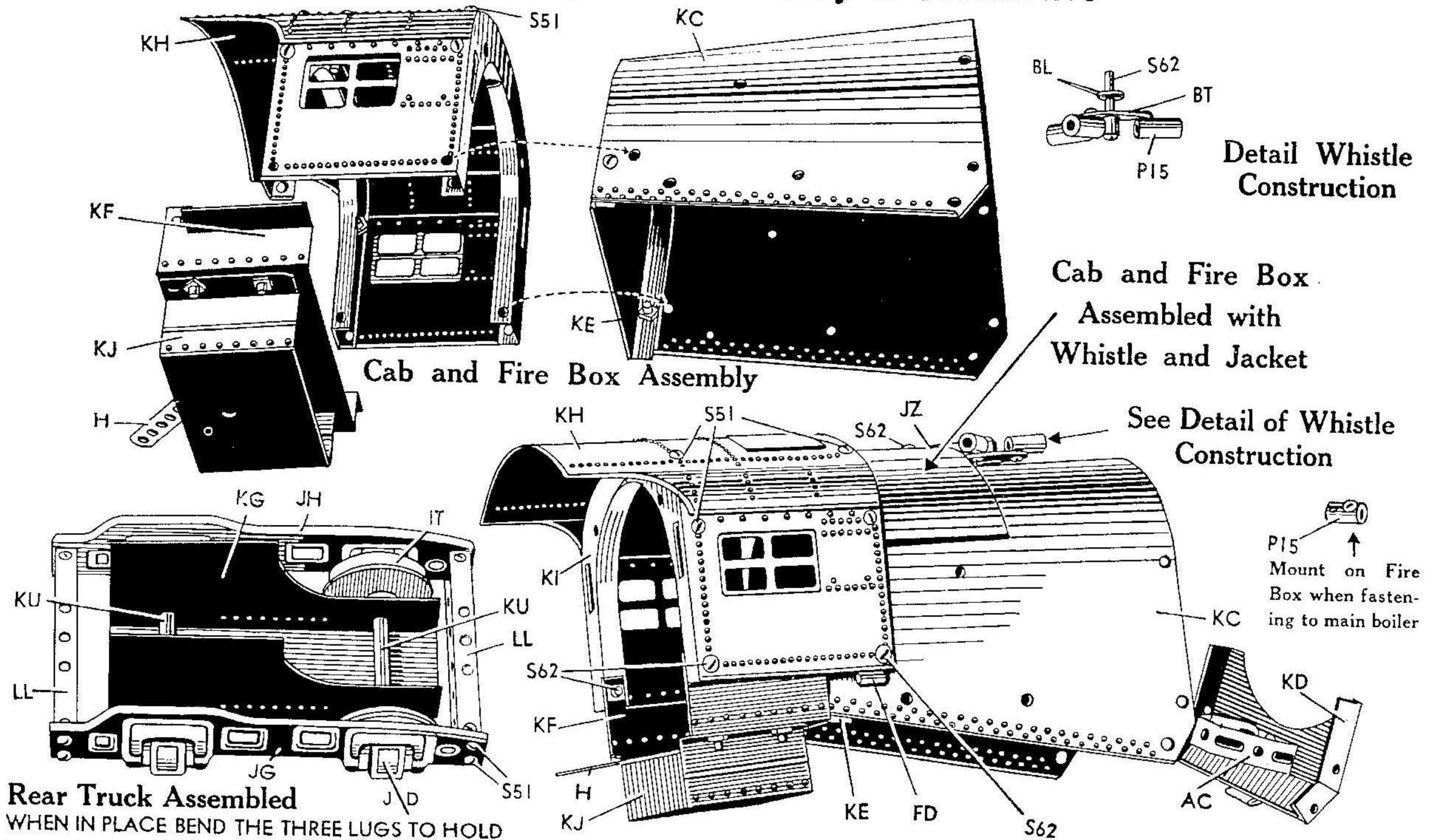


Parallel Rod Main Connecting Rod and Crosshead Assembly

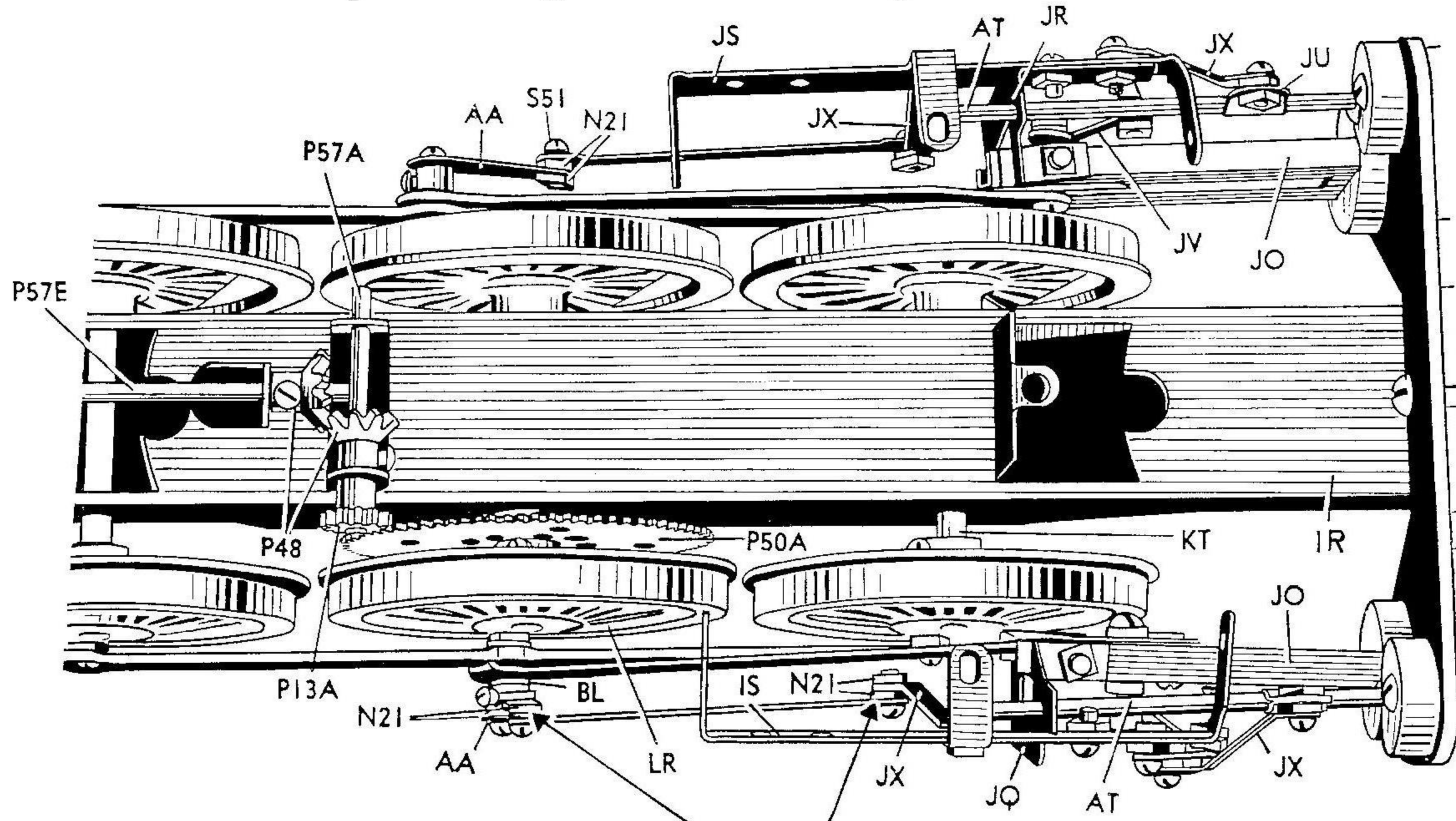


Link Rod and Valve Lever Assembly

Steps of Progress in Assembly of Locomotive



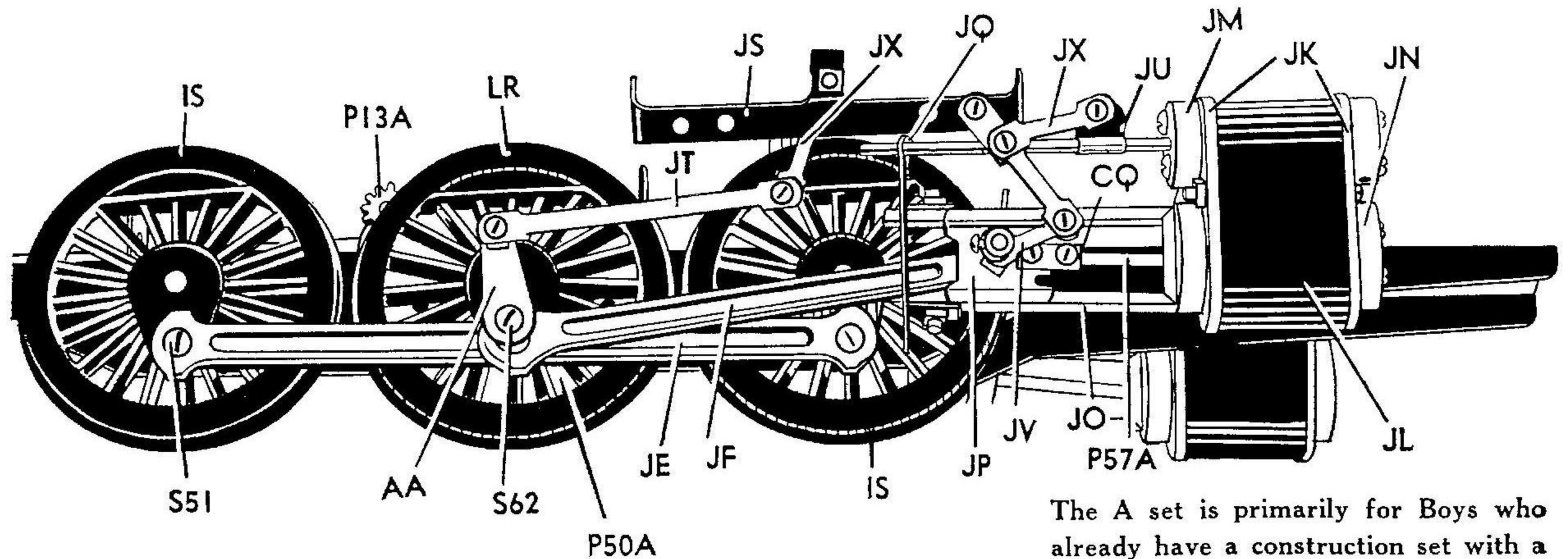
Steps of Progress in Assembly of Locomotive



Top view Engine Frame Assembly showing Gearing, Rod and Lever Construction

Lock all Jam nuts tightly

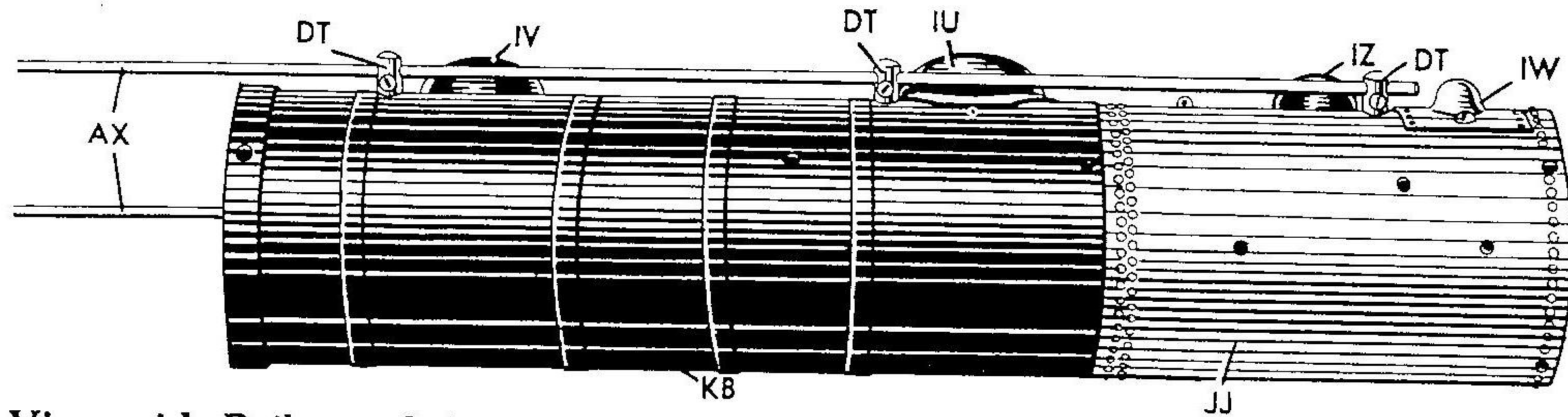
Steps of Progress in Assembly of Locomotive



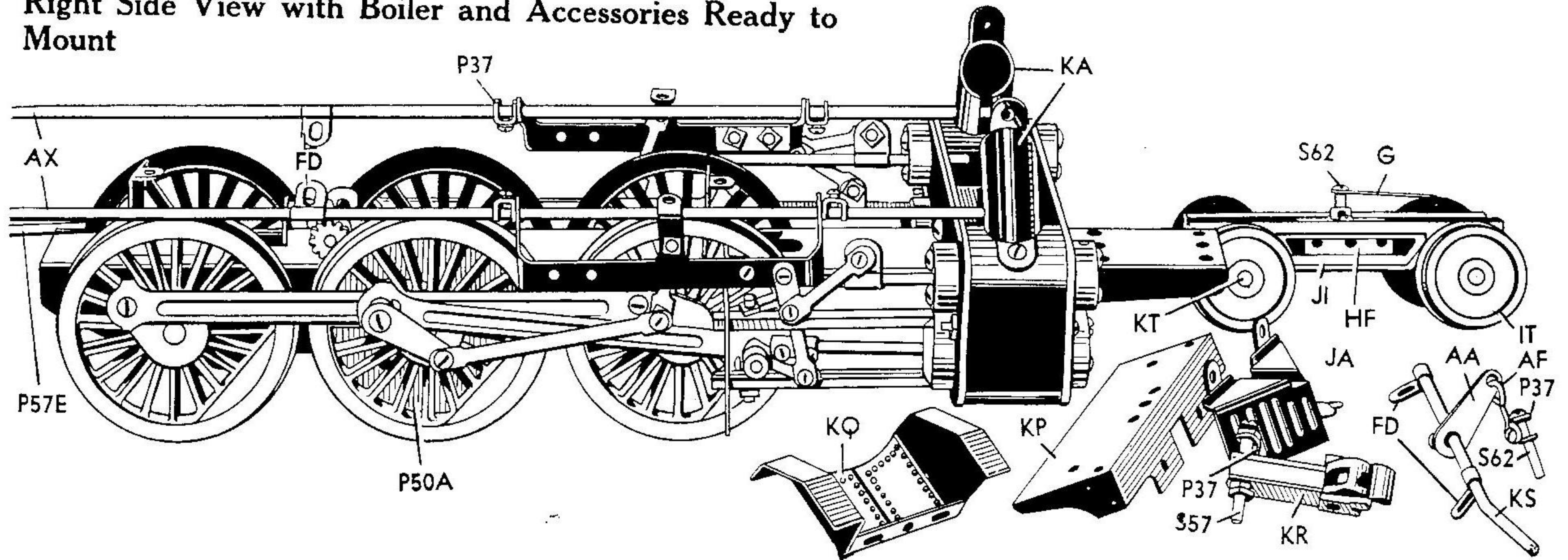
Right side view Driver and Lever constructions

The A set is primarily for Boys who already have a construction set with a motor. If you do not own a construction set you may secure either a P58 Battery Motor or a P56G 110 volt Motor as described in parts sheet for operating your models.

Steps of Progress in Assembly of Locomotive

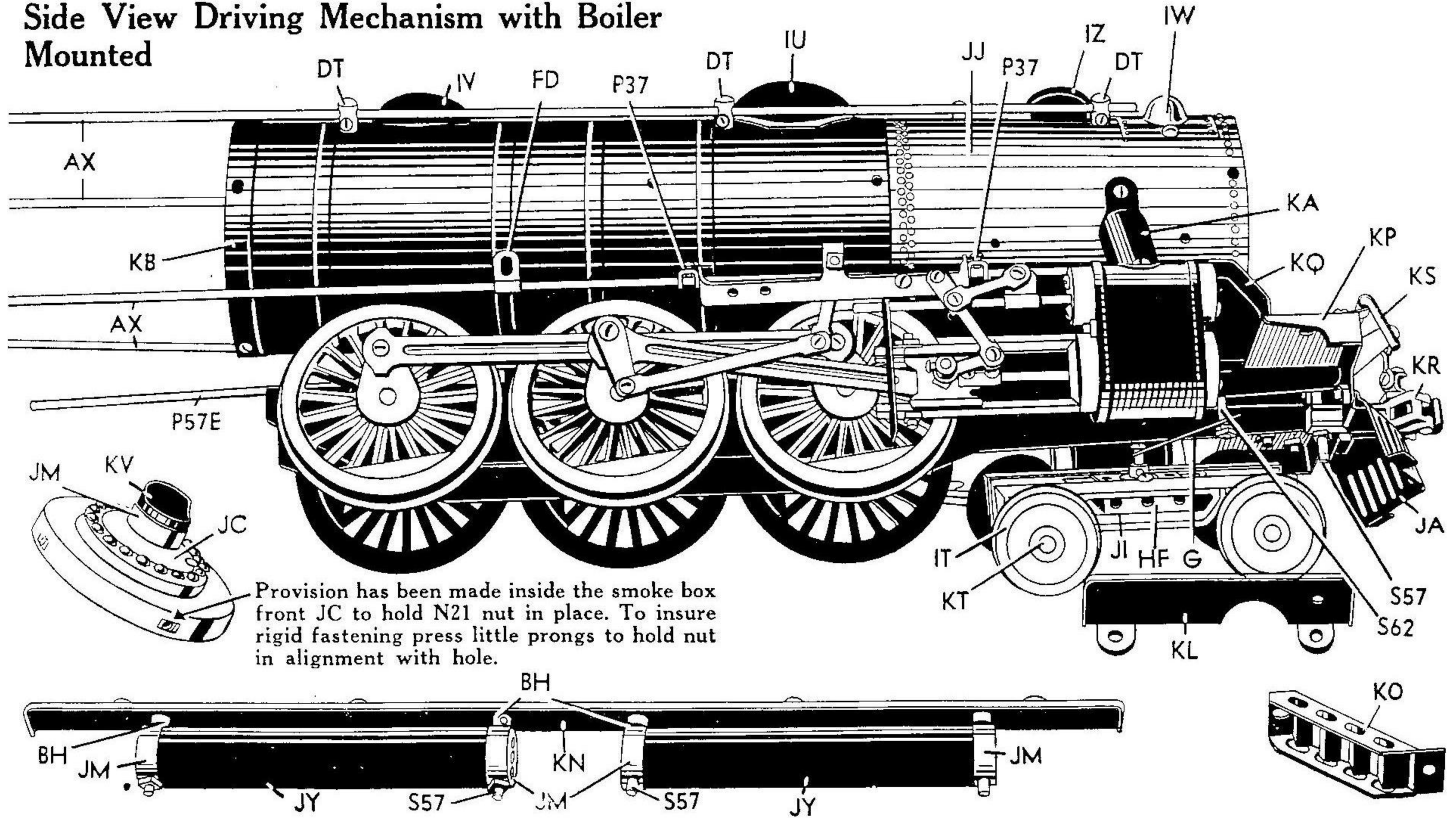


Right Side View with Boiler and Accessories Ready to Mount

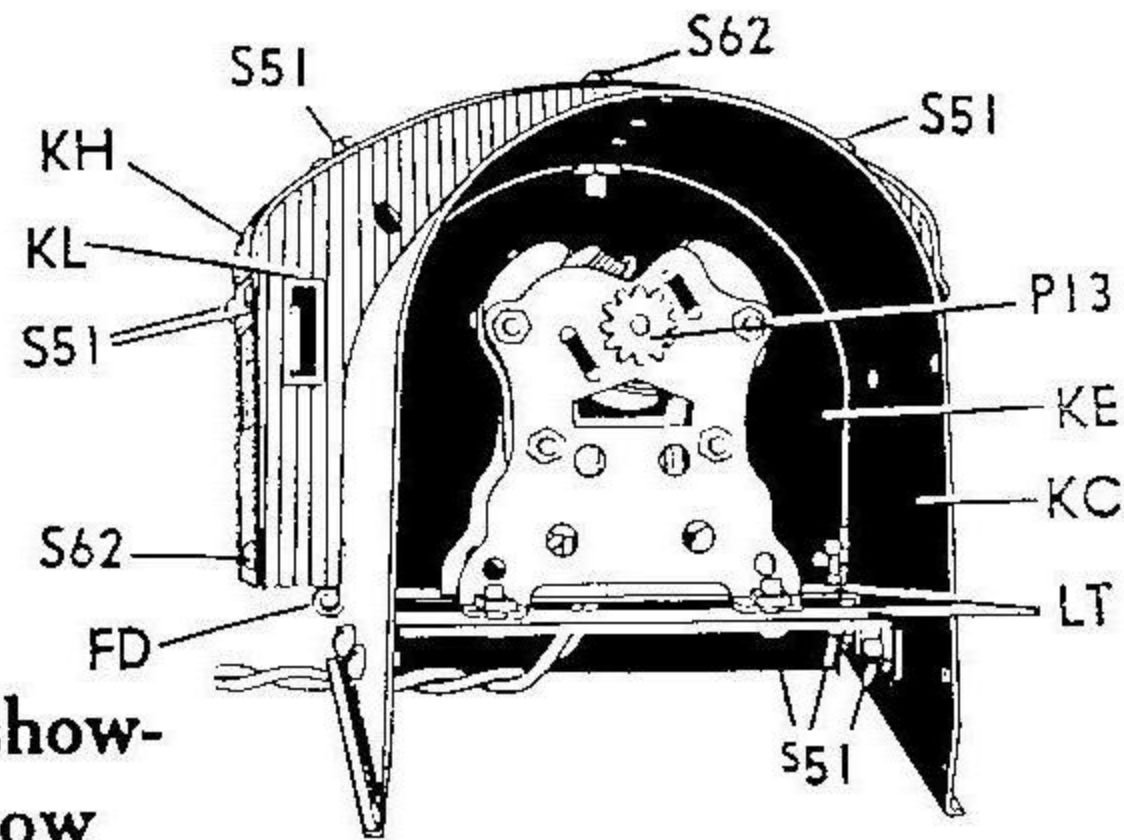


Steps of Progress in Assembly of Locomotive

Side View Driving Mechanism with Boiler Mounted



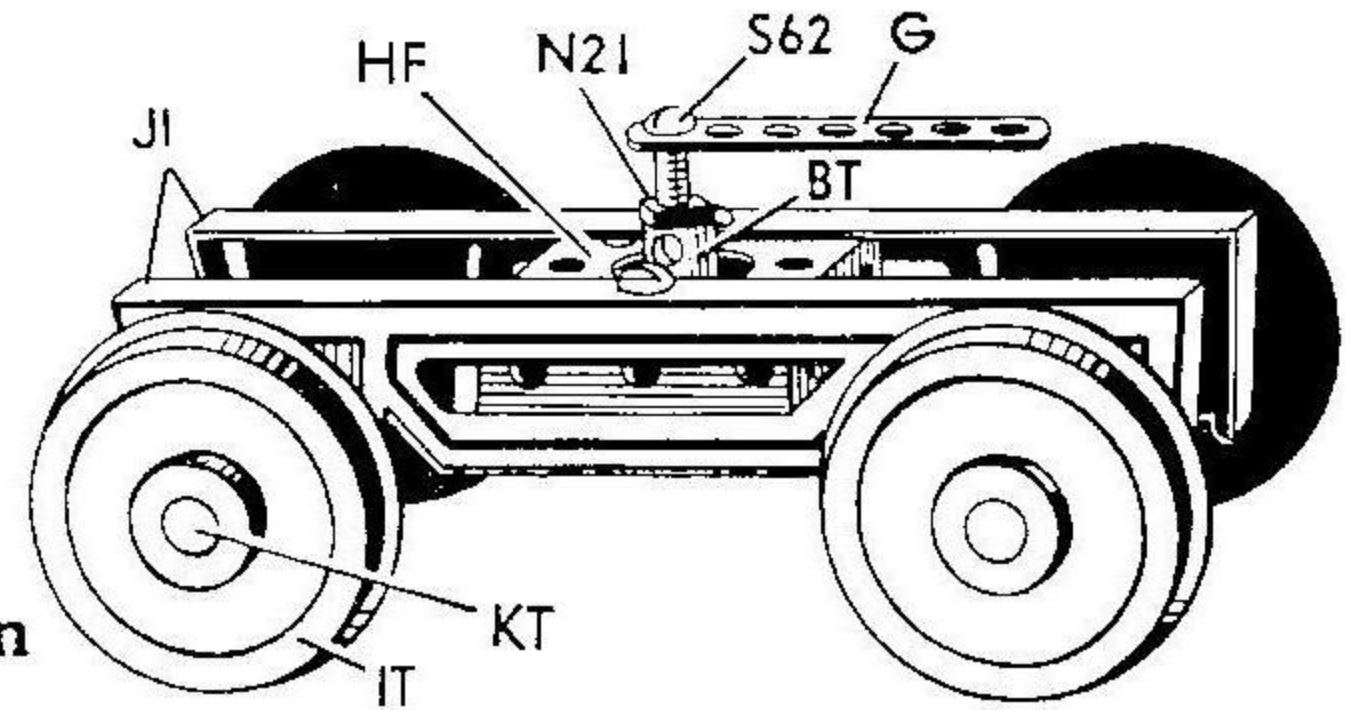
Steps of Progress in Assembly of Locomotive



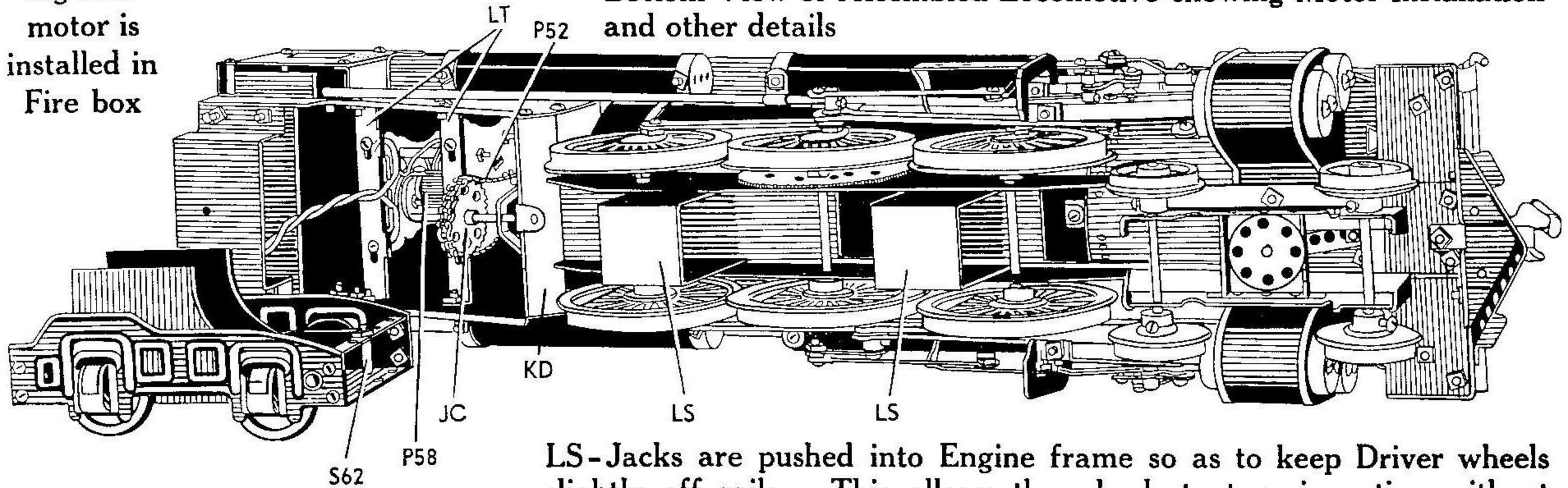
Detail showing how motor is installed in Fire box

The A set is primarily for Boys who already have a construction set with a motor. If you do not own a construction set you may secure either a P58 Battery Motor or a P56G 110 volt Motor as described in parts sheet for operating your models.

Front Truck Construction



Bottom View of Assembled Locomotive showing Motor Installation and other details



LS-Jacks are pushed into Engine frame so as to keep Driver wheels slightly off rails. This allows the wheels to turn in action without traveling. Jacks to be removed when traveling on rail.